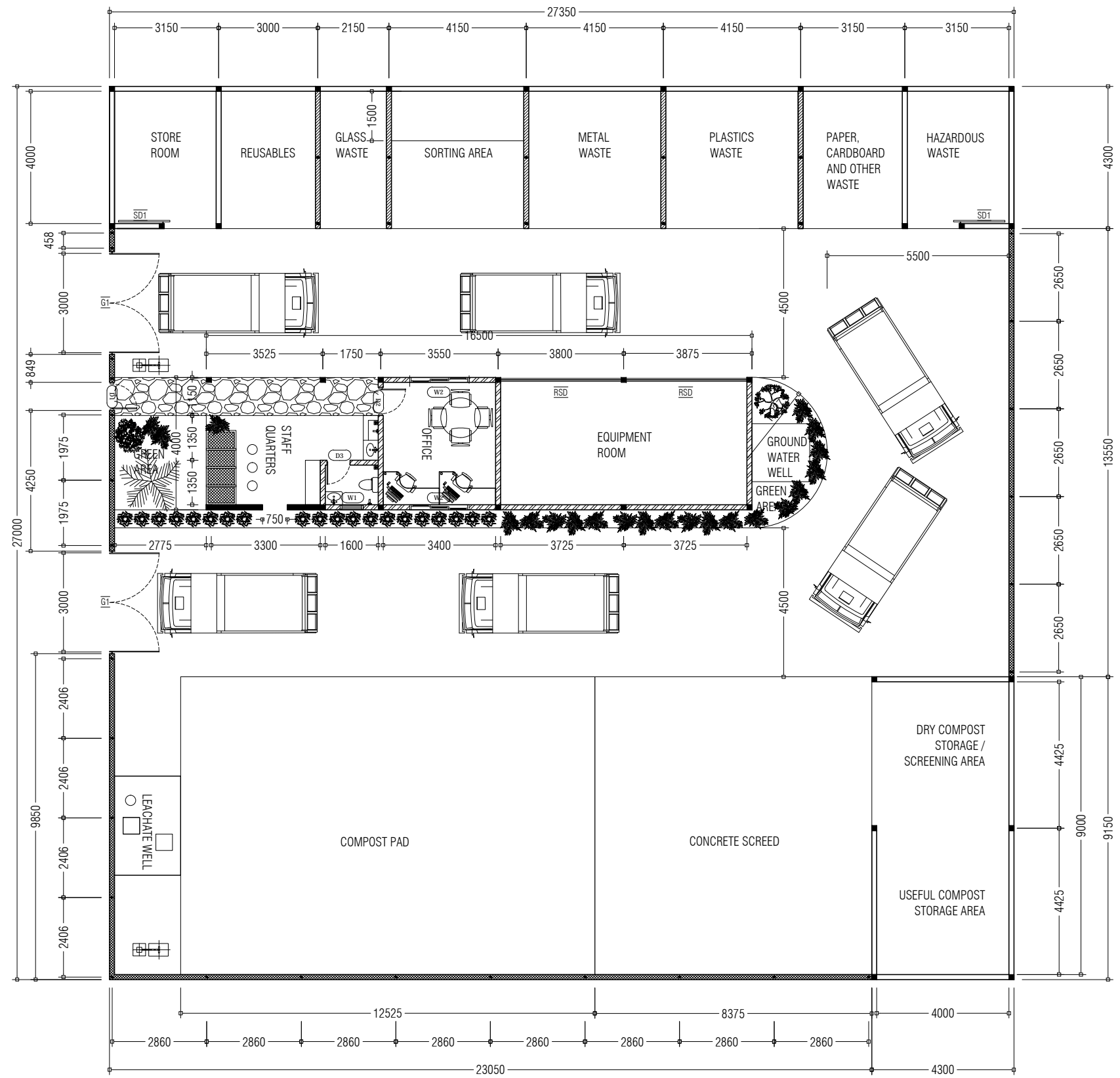


CONSTRUCTION OF TH. KINBIDHOO ISLAND WASTE MANAGEMENT CENTRE




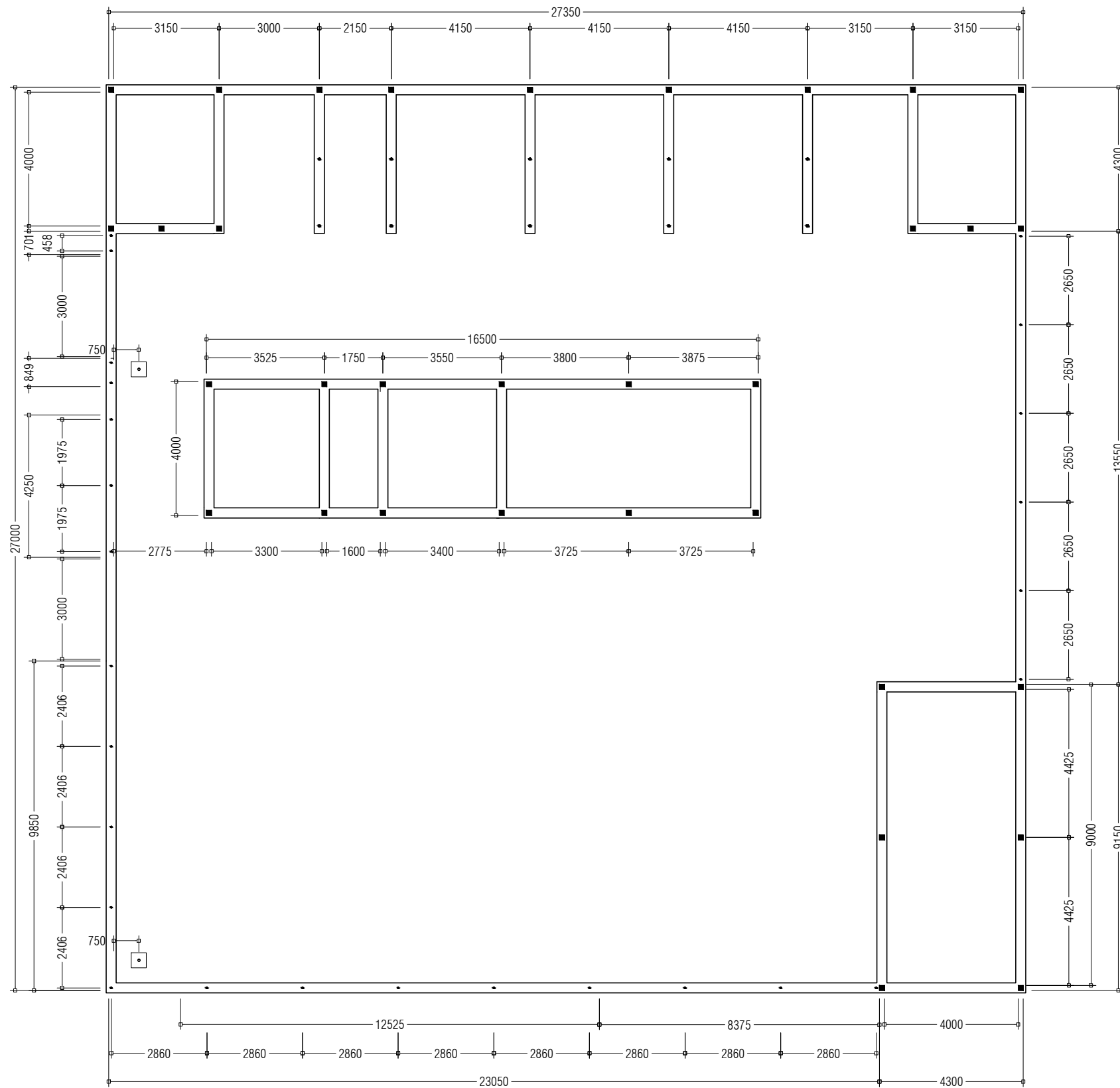
PREPARED BY:
MALDIVES CLEAN ENVIRONMENT PROJECT
MINISTRY OF ENVIRONMENT AND ENERGY

2018



- NOTE:
- 750mm HEIGHT WALL [150mm HOLLOW BOCK]
 - 1500mm HEIGHT WALL [150mm HOLLOW BOCK]
 - 3500mm HEIGHT WALL [150mm HOLLOW BOCK]
 - 4000mm HEIGHT WALL [150mm HOLLOW BOCK]
 - PERIMETER FENCE [150mm HOLLOW BOCK]

APPROVED BY	PROJECT	DESIGN BY	AMENDMENTS
 <p>MCEP MINISTRY OF ENVIROMENT AND ENERGY GREEN BUILDING, HANDHUVAREE HIGUN, MAAFANNU, MALE' (20392), REPUBLIC OF MALDIVES, TEL: +960-3018431, +960-3018300, FAX: +960-328301</p>	CONSTRUCTION OF WASTE MANAGEMENT CENTRE TH. KINBIDHOO	AFRAZ	
	TITLE	STRUCTURE BY	
	FLOOR PLAN	AFRAZ	
	CLIENT DEPARTMENT	DRAWN BY	
	WMPC DEPARTMENT	AFRAZ	
	PAPER SIZE A3	SCALE	1:150
	PAGE NO. 01	DWG NO.	KINB-R3 A1-01
		DATE	18.04.2018



NOTE:

- FOUNDATION BEAMS [300mm width]
- COLUMN, C1 [150X150mm]
- COLLECTION BAY FOOTING [300X300mm]
- LAMP POST FOOTING [450X450mm]

APPROVED BY

PROJECT

DESIGN BY

AMENDMENTS

CONSTRUCTION OF WASTE MANAGEMENT CENTRE
TH. KINBIDHOO

AFRAZ

TITLE

STRUCTURE BY

FOUNDATION BEAM PLAN

AFRAZ

CLIENT DEPARTMENT

DRAWN BY

WMPC DEPARTMENT

AFRAZ

PAPER SIZE A3

SCALE

1:150

PAGE NO. 02

DWG NO.

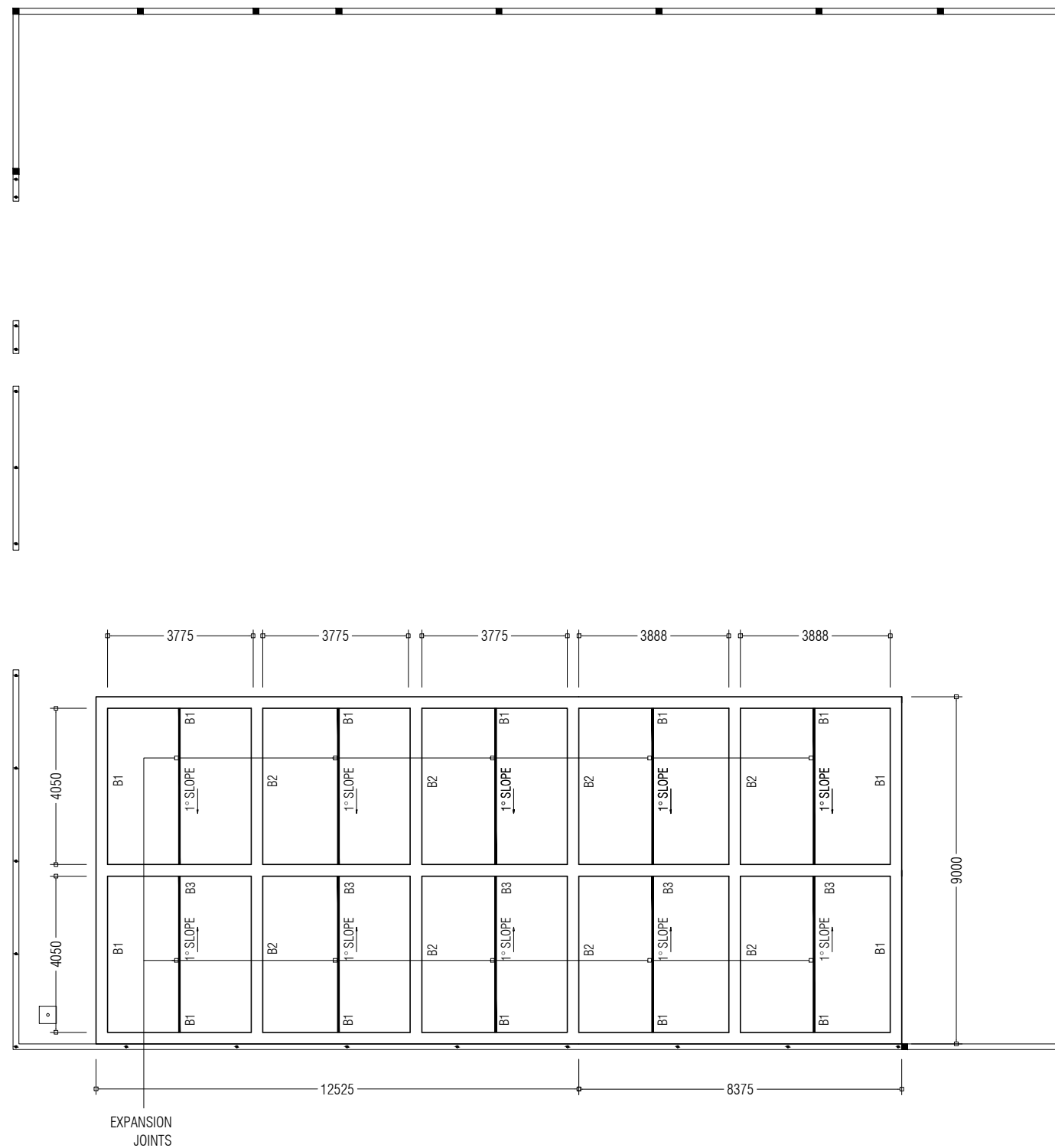
KINB-R3 A1-02

DATE

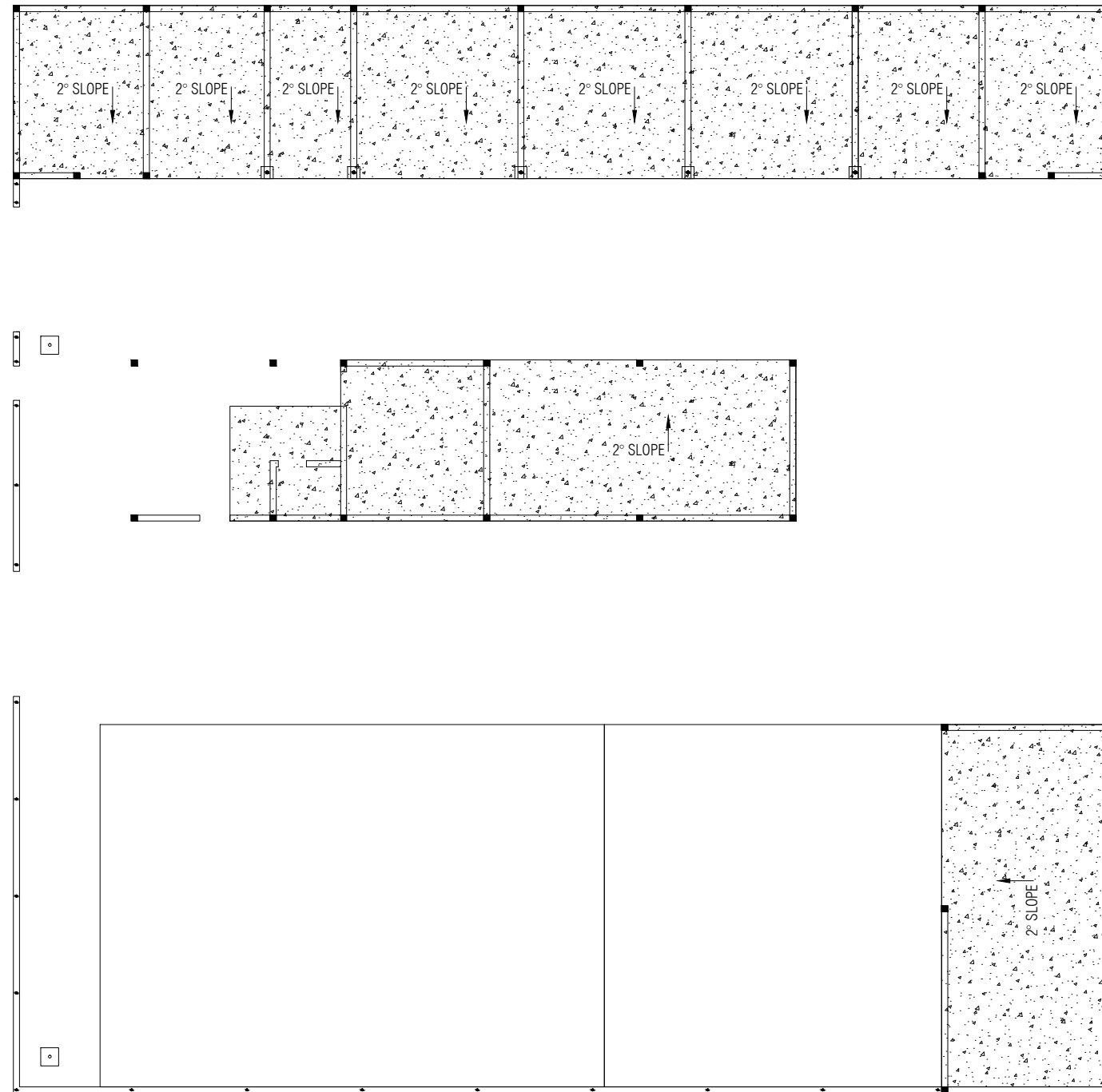
18.04.2018



MCEP
MINISTRY OF ENVIRONMENT AND ENERGY
GREEN BUILDING, HANDHUVAREE HIGUN,
MAAFANNU, MALE (20392), REPUBLIC OF MALDIVES,
TEL: +960-3018431, +960-3018300, FAX: +960-328301



APPROVED BY	PROJECT	DESIGN BY	AMENDMENTS
	CONSTRUCTION OF WASTE MANAGEMENT CENTRE TH. KINBIDHOO	AFRAZ	
	TITLE COMPOST PAD FOUNDATION BEAM PLAN	STRUCTURE BY AFRAZ	
	CLIENT DEPARTMENT WMPC DEPARTMENT	DRAWN BY AFRAZ	
	PAPER SIZE A3	SCALE 1:150	
	PAGE NO. 03	DWG NO. KINB-R3 A1-03	
		DATE 18.04.2018	



APPROVED BY

PROJECT

DESIGN BY

AMENDMENTS

CONSTRUCTION OF WASTE MANAGEMENT CENTRE
TH. KINBIDHOO

AFRAZ

TITLE
FLOOR SCREED PLAN

STRUCTURE BY

AFRAZ

CLIENT DEPARTMENT
WMPC DEPARTMENT

DRAWN BY

AFRAZ

PAPER SIZE A3

SCALE 1:150

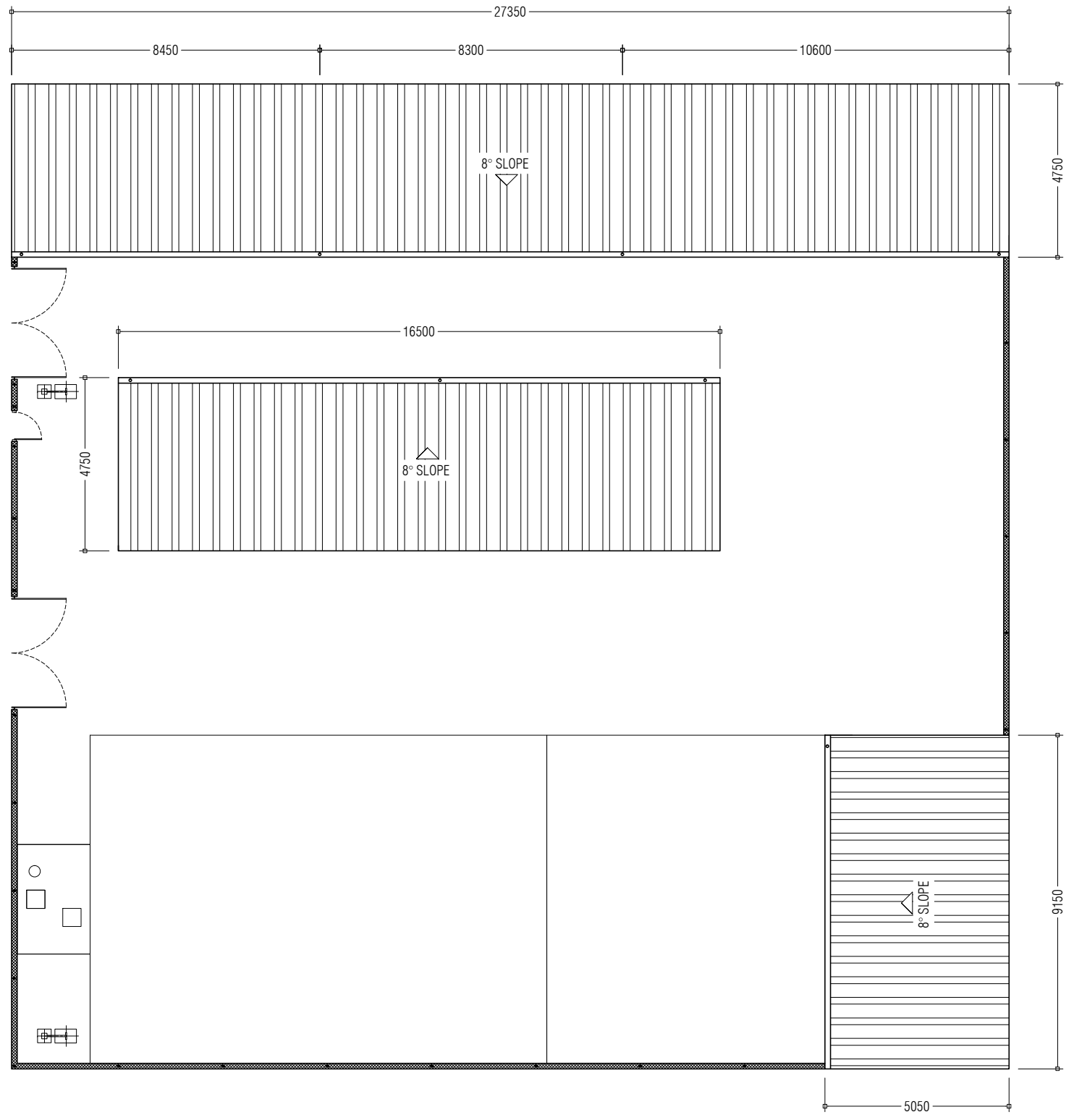
PAGE NO. 04

DWG NO. KINB-R3 A1-04

DATE 18.04.2018



MCEP
MINISTRY OF ENVIROMENT AND ENERGY
GREEN BUILDING, HANDHUVAREE HIGUN,
MAAFANNU, MALE (20392), REPUBLIC OF MALDIVES,
TEL: +960-3018431, +960-3018300, FAX: +960-328301



APPROVED BY

PROJECT
CONSTRUCTION OF WASTE MANAGEMENT CENTRE
TH. KINBIDHOO

DESIGN BY
AFRAZ

AMENDMENTS

TITLE
ROOF PLAN
CLIENT DEPARTMENT
WMPC DEPARTMENT

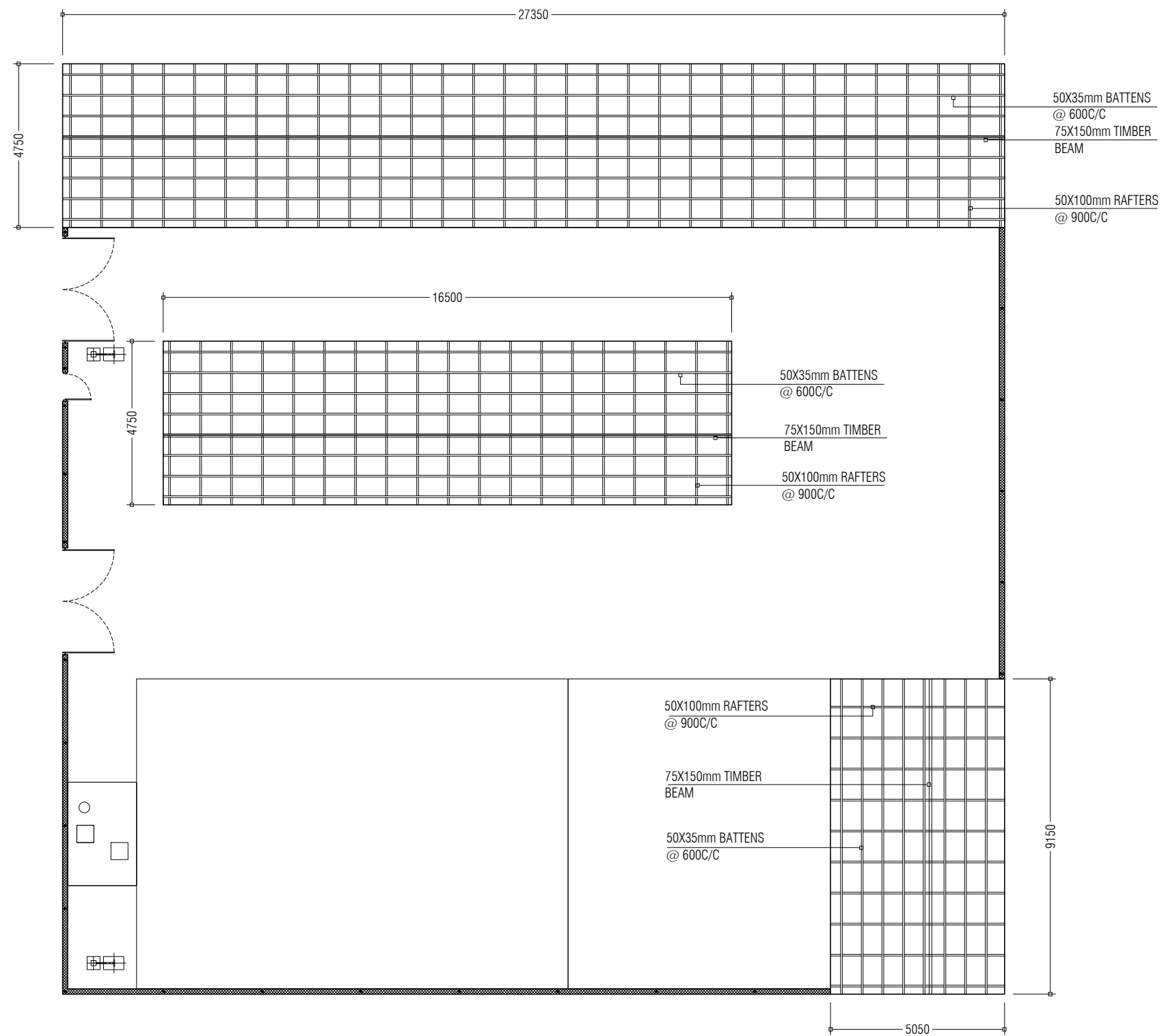
STRUCTURE BY
AFRAZ
DRAWN BY
AFRAZ

PAPER SIZE A3
PAGE NO. 05

SCALE 1:150
DWG NO. KINB-R3 A1-05
DATE 18.04.2018



MCEP
MINISTRY OF ENVIROMENT AND ENERGY
GREEN BUILDING, HANDHUVAREE HIGUN,
MAAFANNU, MALÉ (20392), REPUBLIC OF MALDIVES.
TEL: +960-3018431, +960-3018300, FAX: +960-328301



50X35mm BATTENS
@ 600C/C
75X150mm TIMBER
BEAM

50X100mm RAFTERS
@ 900C/C

50X35mm BATTENS
@ 600C/C

75X150mm TIMBER
BEAM

50X100mm RAFTERS
@ 900C/C

50X100mm RAFTERS
@ 900C/C

75X150mm TIMBER
BEAM

50X35mm BATTENS
@ 600C/C

APPROVED BY

PROJECT

DESIGN BY

AMENDMENTS

CONSTRUCTION OF WASTE MANAGEMENT CENTRE
TH. KINBIDHOO

AFRAZ

TITLE

STRUCTURE BY

ROOF FRAMING

AFRAZ

CLIENT DEPARTMENT

DRAWN BY

WMPC DEPARTMENT

AFRAZ

PAPER SIZE A3

SCALE 1:150

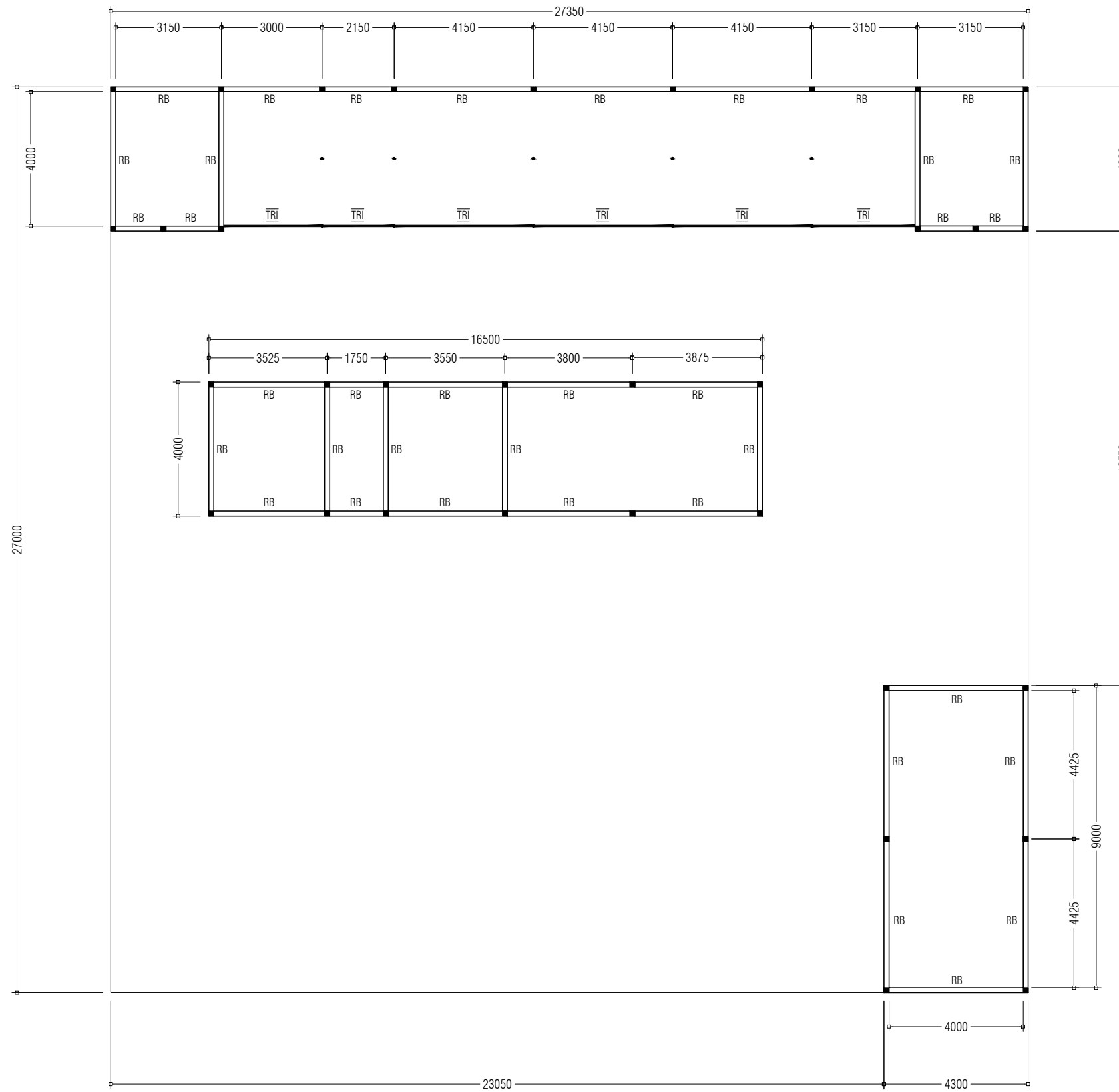
PAGE NO. 06

DWG NO. KINB-R3 A1-06

DATE 18.04.2018



MCEP
MINISTRY OF ENVIROMENT AND ENERGY
GREEN BUILDING, HANDHUVAREE HIGUN,
MAAFANNU, MALE' (20392), REPUBLIC OF MALDIVES.
TEL: +960-3018431, +960-3018300, FAX: +960-328301



APPROVED BY

PROJECT
CONSTRUCTION OF WASTE MANAGEMENT CENTRE
TH. KINBIDHOO

DESIGN BY
AFRAZ

AMENDMENTS

TITLE
ROOF BEAM PLAN
CLIENT DEPARTMENT
WMPC DEPARTMENT

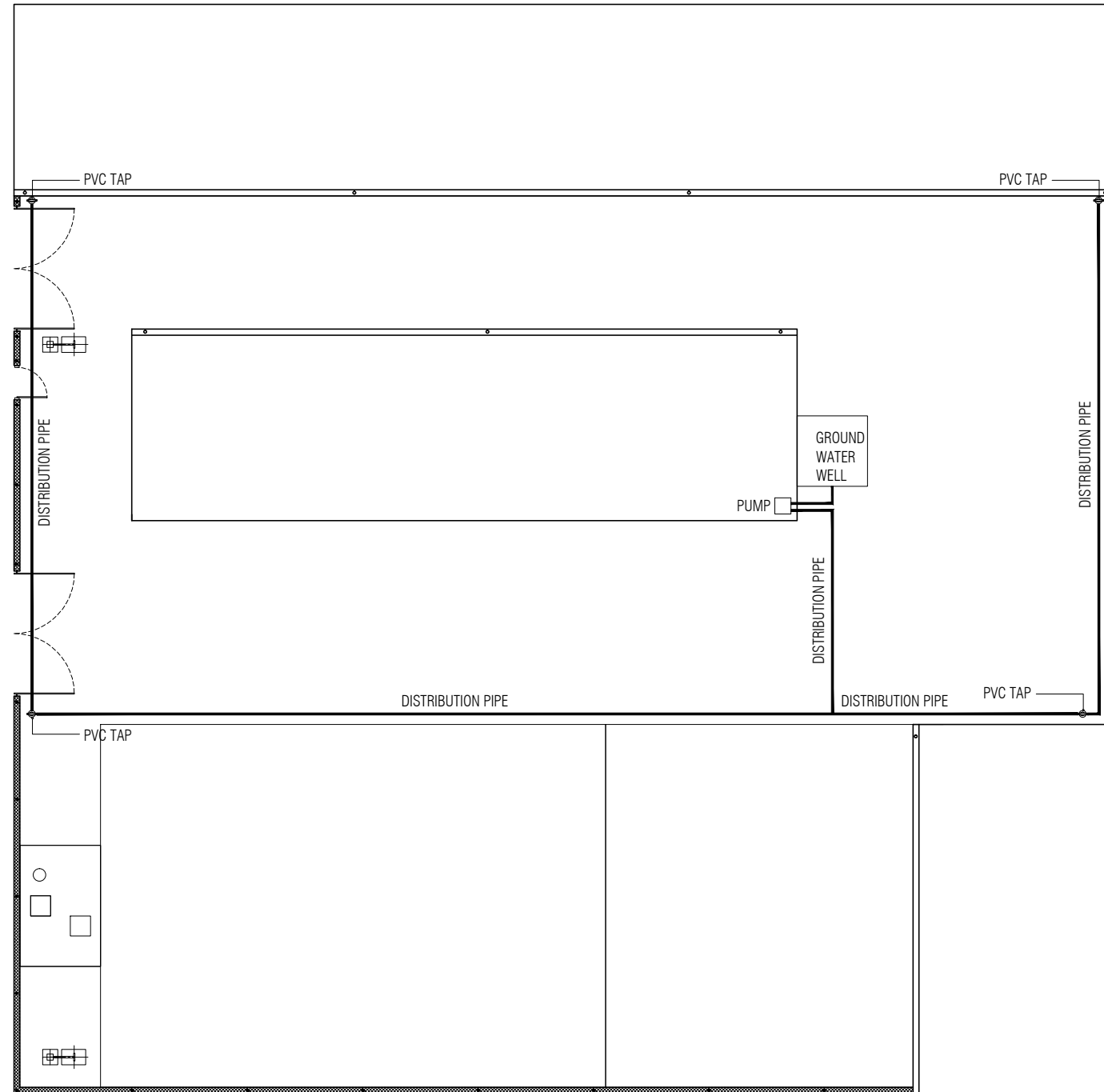
STRUCTURE BY
AFRAZ
DRAWN BY
AFRAZ

PAPER SIZE A3
PAGE NO. 07

SCALE 1:150
DWG NO. KINB-R3 A1-07
DATE 18.04.2018



MCEP
MINISTRY OF ENVIROMENT AND ENERGY
GREEN BUILDING, HANDHUVAREE HIGUN,
MAAFANNU, MALE' (20392), REPUBLIC OF MALDIVES.
TEL: +960-3018431, +960-3018300, FAX: +960-328301



APPROVED BY

PROJECT
CONSTRUCTION OF WASTE MANAGEMENT CENTRE
TH. KINBIDHOO

DESIGN BY
AFRAZ

AMENDMENTS

TITLE
ROOF BEAM PLAN

STRUCTURE BY
AFRAZ

CLIENT DEPARTMENT
WMPC DEPARTMENT

DRAWN BY
AFRAZ

PAPER SIZE A3

SCALE 1:150

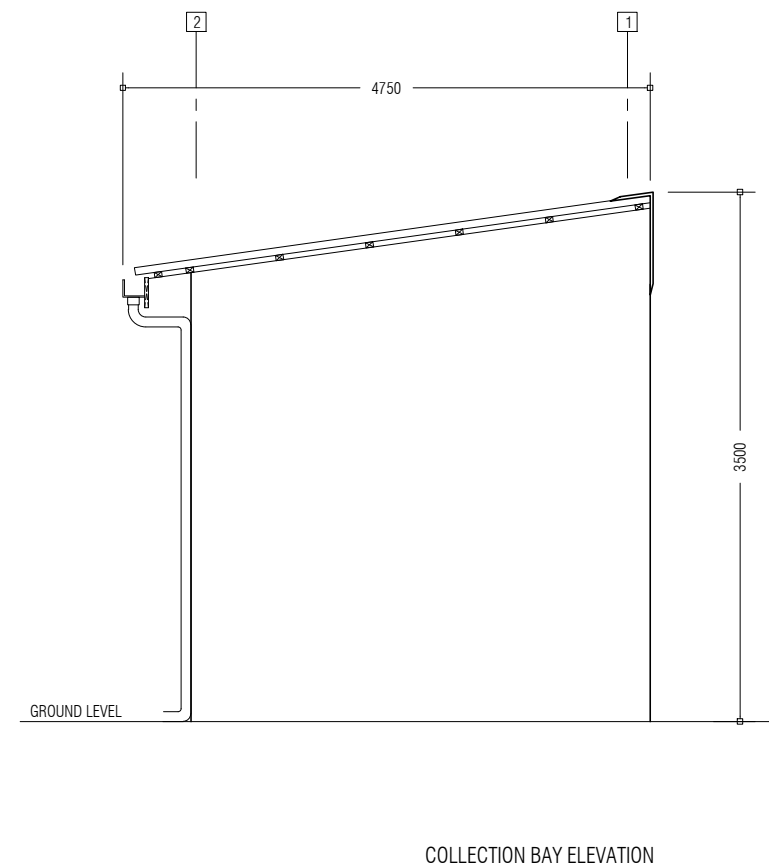
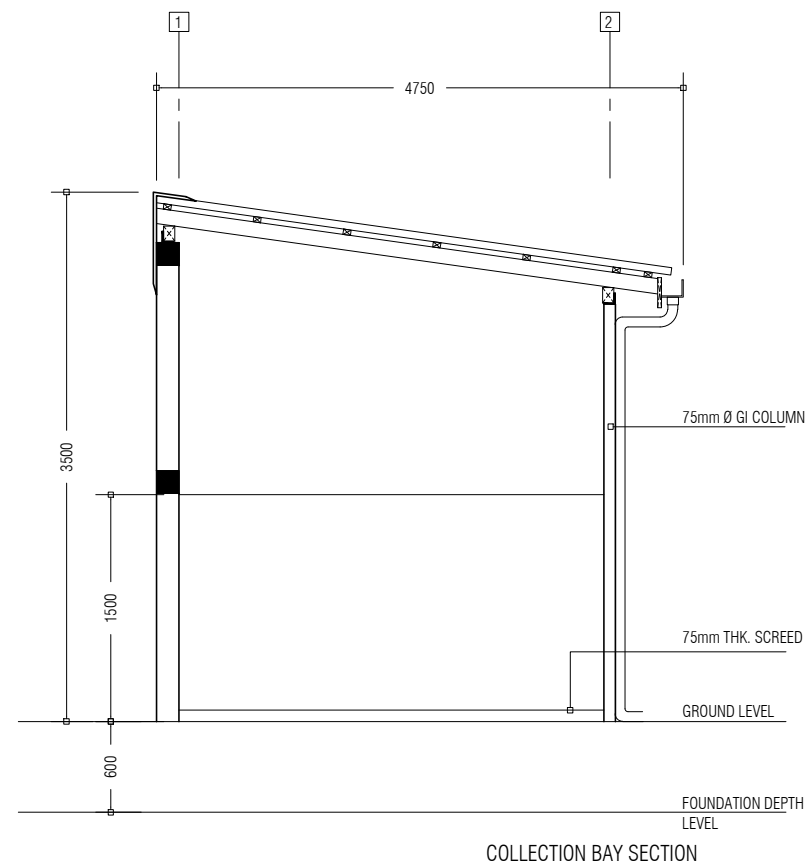
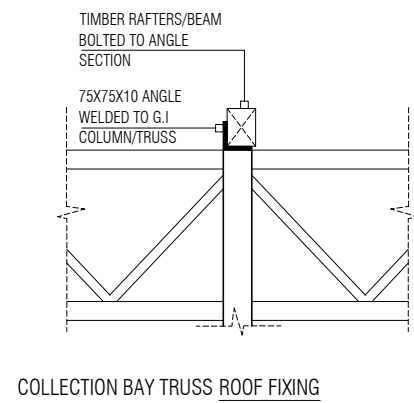
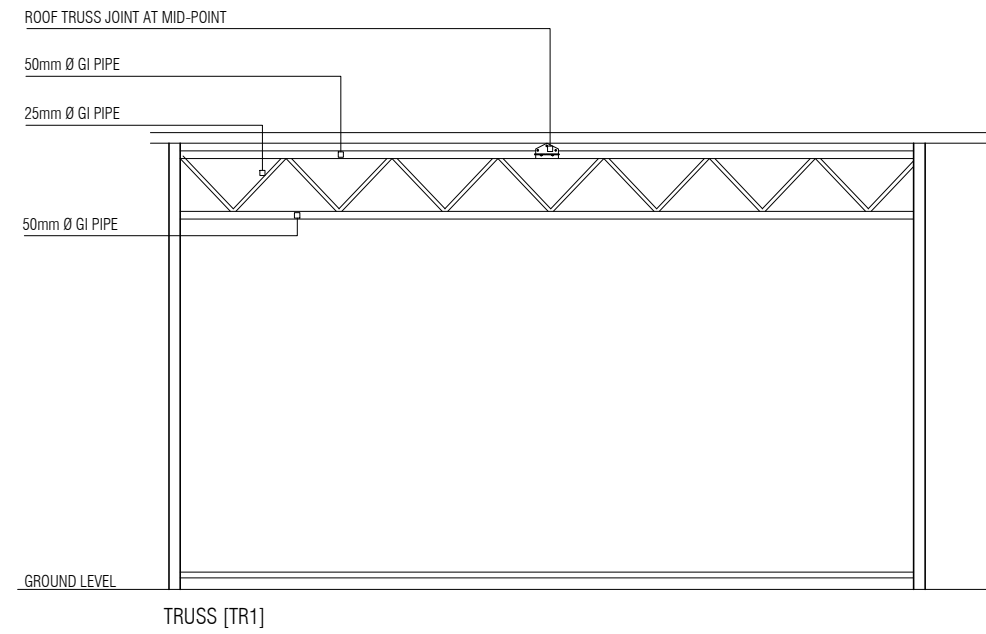
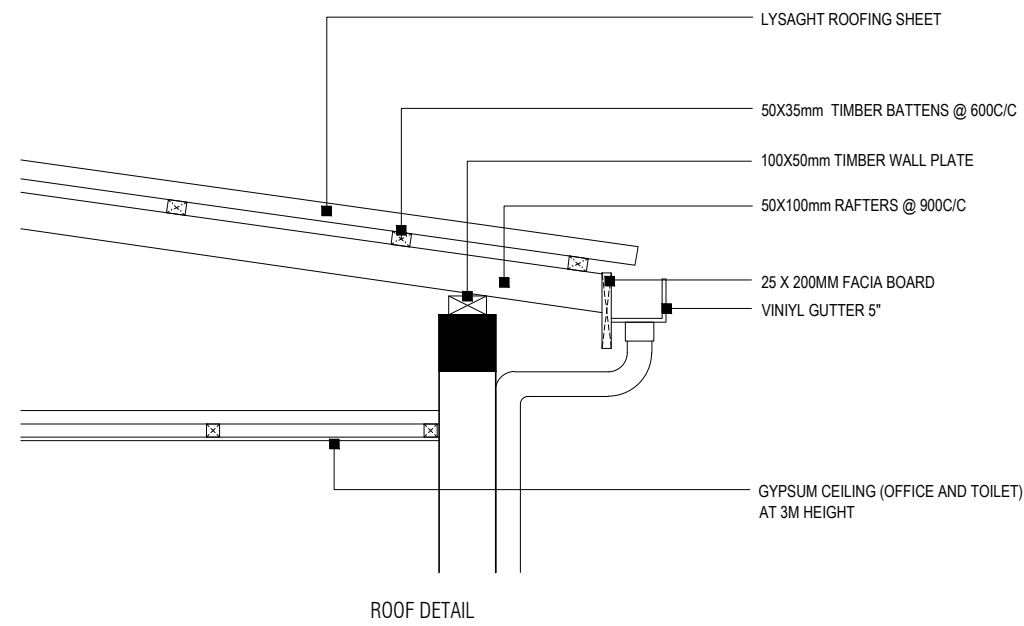
PAGE NO. 08

DWG NO. KINB-R3 A1-08

DATE 18.04.2018



MCEP
MINISTRY OF ENVIROMENT AND ENERGY
GREEN BUILDING, HANDHUVAREE HIGUN,
MAAFANNU, MALÉ (20392), REPUBLIC OF MALDIVES.
TEL: +960-3018431, +960-3018300, FAX: +960-328301



APPROVED BY



MCEP
MINISTRY OF ENVIROMENT AND ENERGY
GREEN BUILDING, HANDHUVAREE HIGUN,
MAAFANNU, MALE' (20392), REPUBLIC OF MALDIVES.
TEL: +960-3018431, +960-3018300, FAX: +960-328301

PROJECT
CONSTRUCTION OF WASTE MANAGEMENT CENTRE
TH. KINBIDHOO

TITLE
ELEVATIONS AND SECTIONS

CLIENT DEPARTMENT
WMPC DEPARTMENT

PAPER SIZE A3
PAGE NO. 09

DESIGN BY
AFRAZ

STRUCTURE BY
AFRAZ

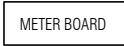
DRAWN BY
AFRAZ

SCALE 1:150
DWG NO. KINB-R3 A1-09
DATE 18.04.2018

AMENDMENTS

LEGEND

METER BOARD



DISTRIBUTION BOARDS



20W LED LIGHT (DAY LIGHT)



18W CEILING MOUNT LIGHT (WARM WHITE)



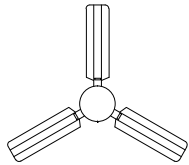
13AMP DOUBLE SOCKET



3 PHASE, 15A POWER POINTS (1.5m ABOVE GROUND)



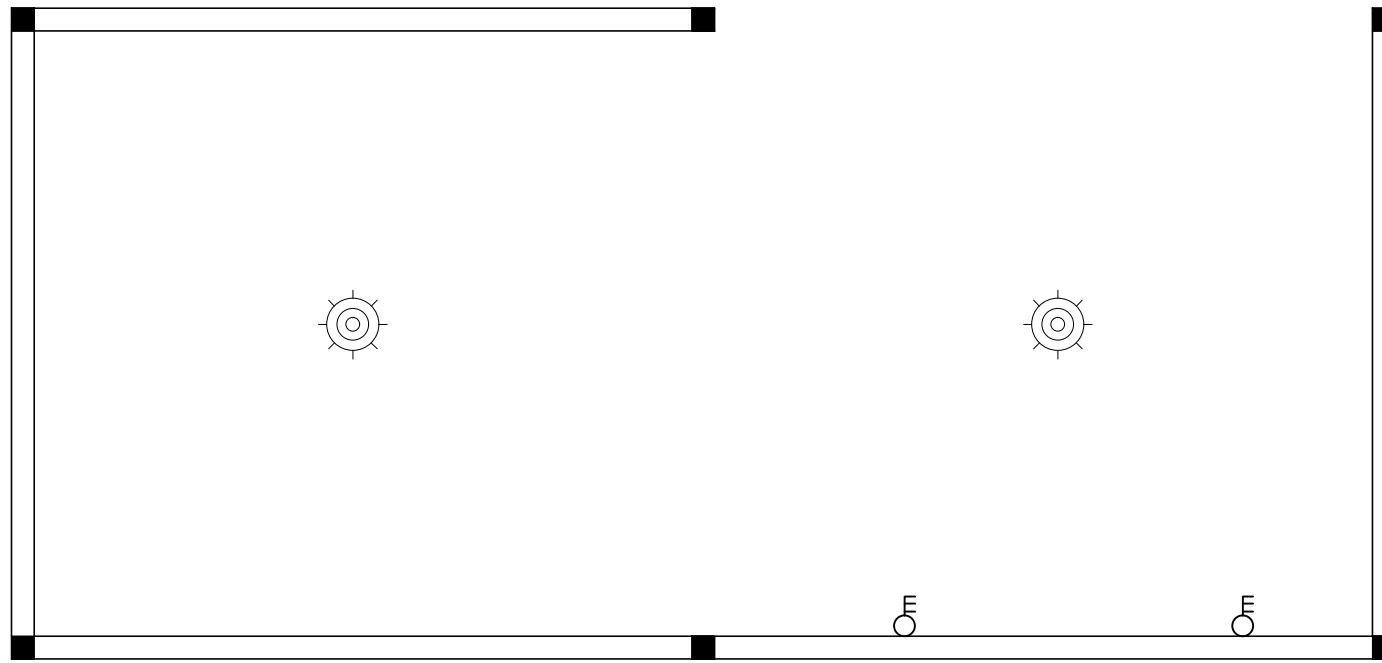
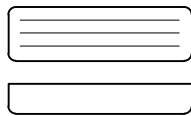
CEILING FAN



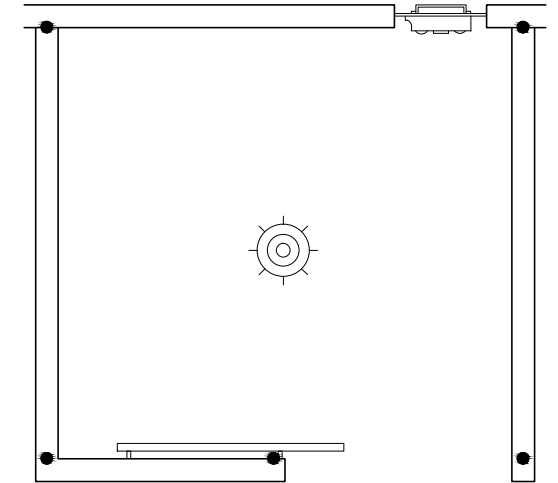
EXHAUST FAN



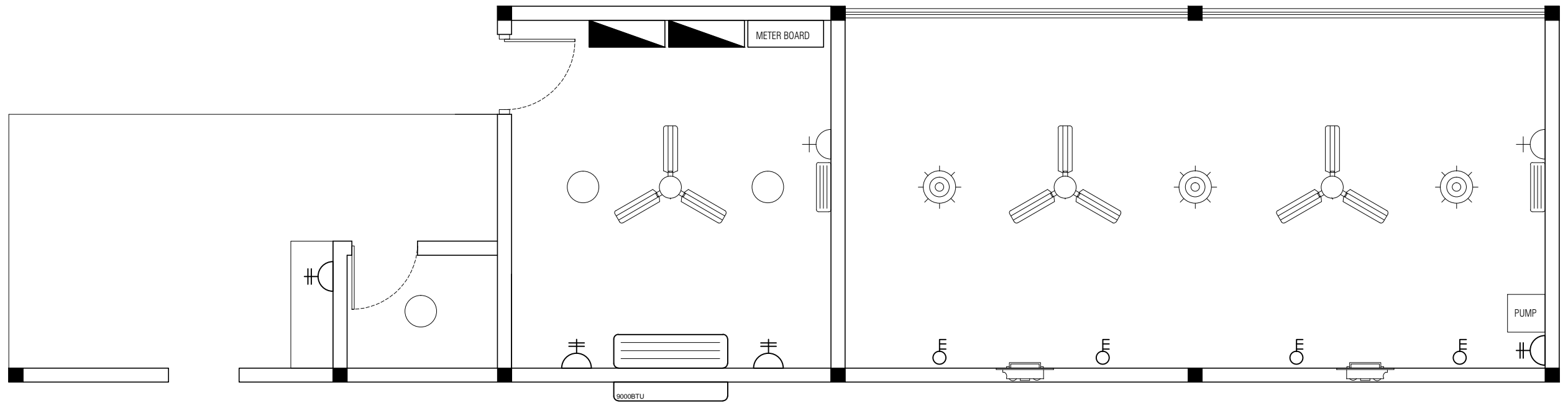
AC WITH OUTLET



COMPOST SCREENING AND STORAGE AREA



HAZARDOUS WASTE AND STORE



EQUIPMENT ROOM, OFFICE AND STAFF QUARTERS ELECTRICAL PLAN

APPROVED BY

PROJECT

DESIGN BY

AMENDMENTS

CONSTRUCTION OF WASTE MANAGEMENT CENTRE
TH. KINBIDHOO

AFRAZ

TITLE
ELECTRICAL PLAN

STRUCTURE BY

AFRAZ

CLIENT DEPARTMENT
WMPC DEPARTMENT

DRAWN BY

AFRAZ

PAPER SIZE A3
PAGE NO. 10

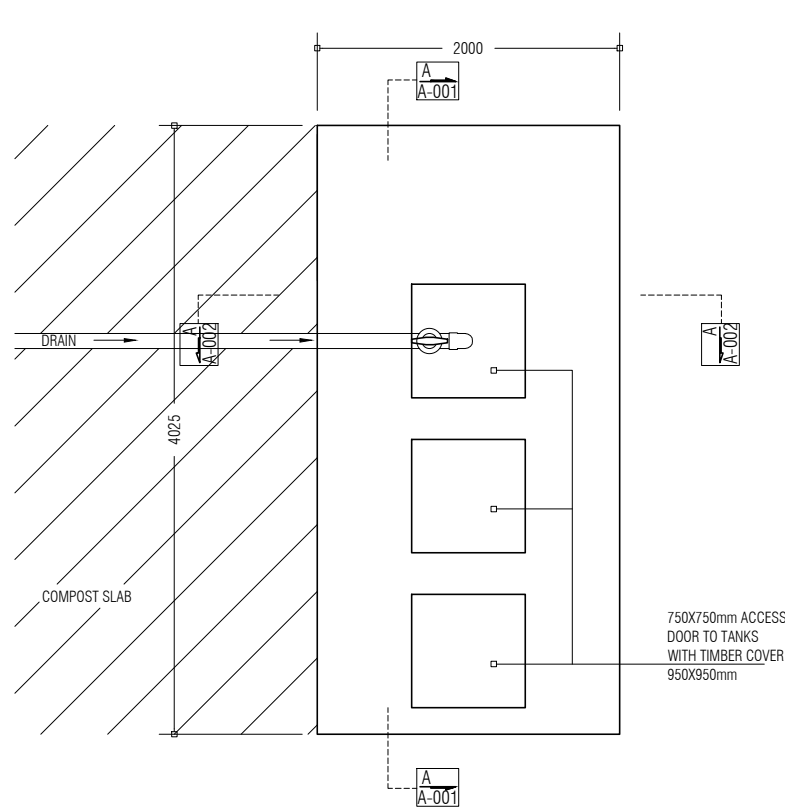
SCALE 1:150

DWG NO. KINB-R3 A1-10

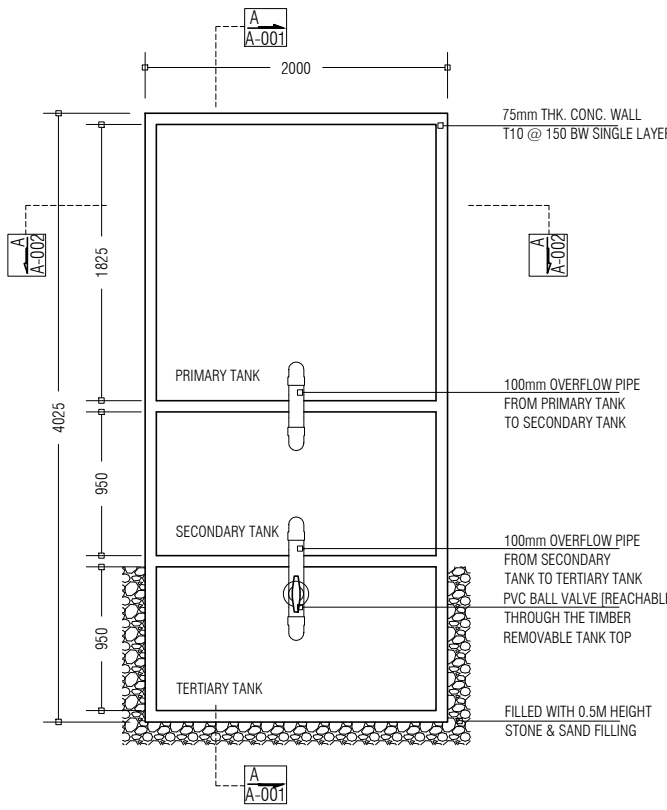
DATE 18.04.2018



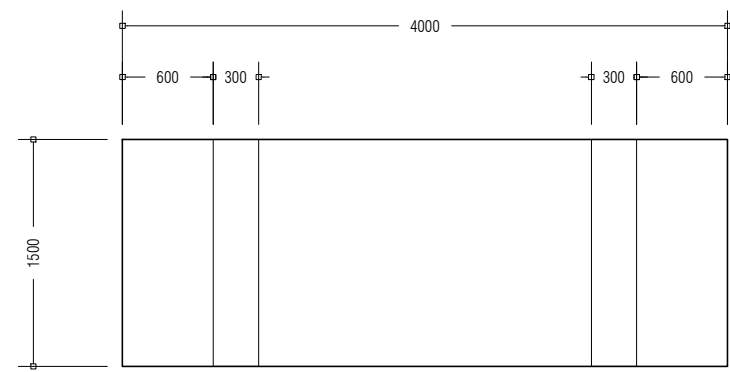
MCEP
MINISTRY OF ENVIROMENT AND ENERGY
GREEN BUILDING, HANDHUVAREE HIGUN,
MAAFANNU, MALE' (20392), REPUBLIC OF MALDIVES.
TEL: +960-3018431, +960-3018300, FAX: +960-328301



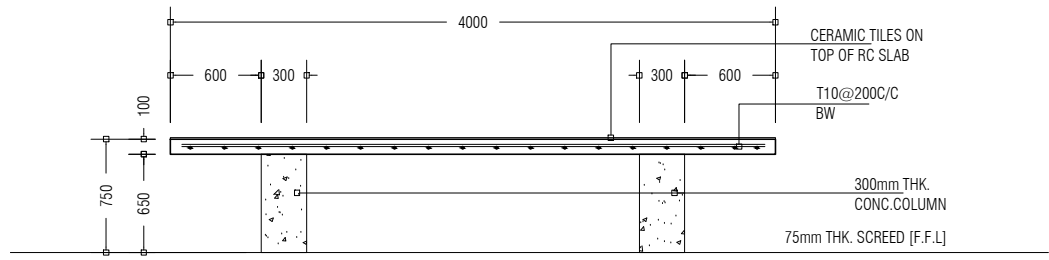
LEACHATE WELL TOP PLAN



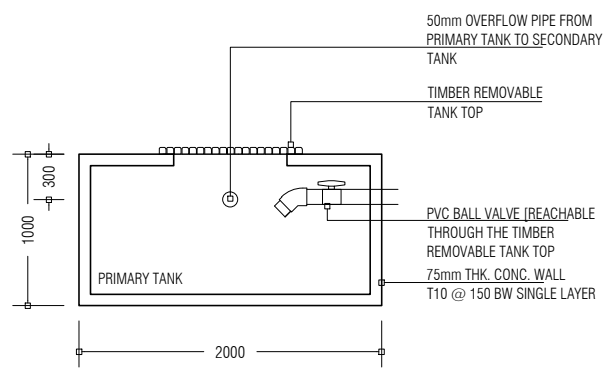
PLAN



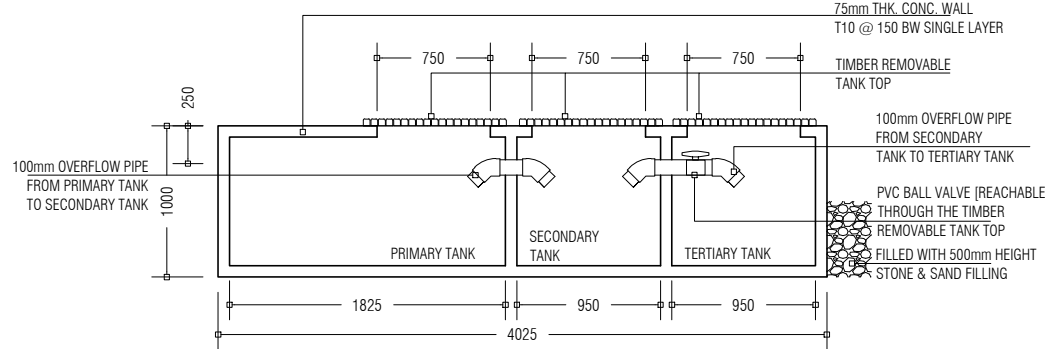
SORTING PLATFORM: TOP VIEW



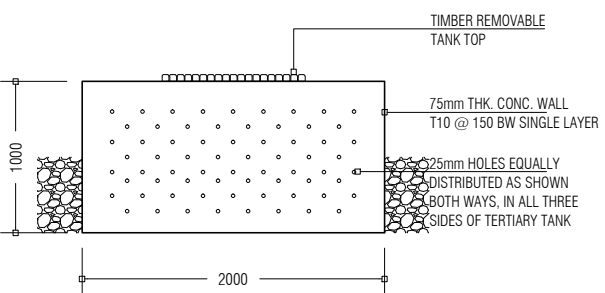
SORTING PLATFORM: FRONT VIEW



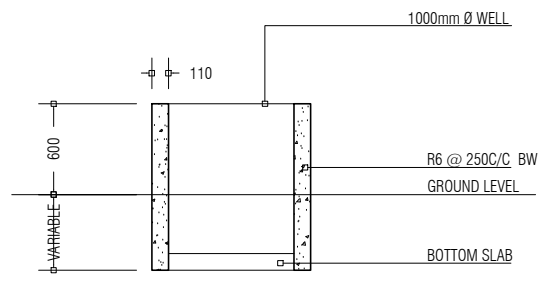
A-002



A-001



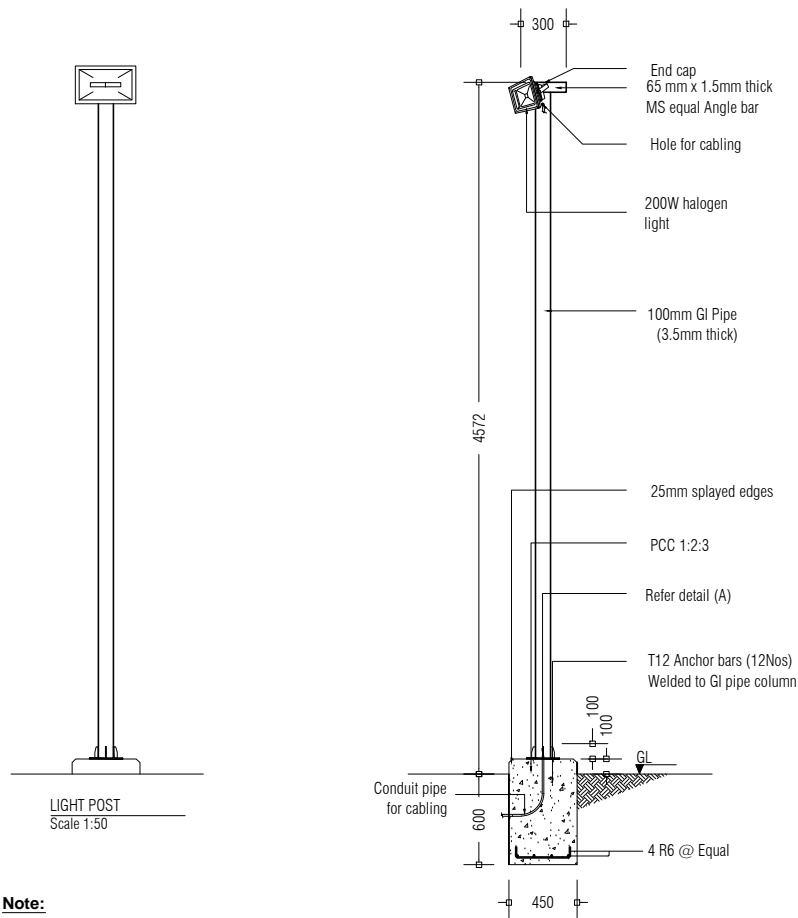
TERTIARY TANK SIDE VIEW



GROUND WATER WELL

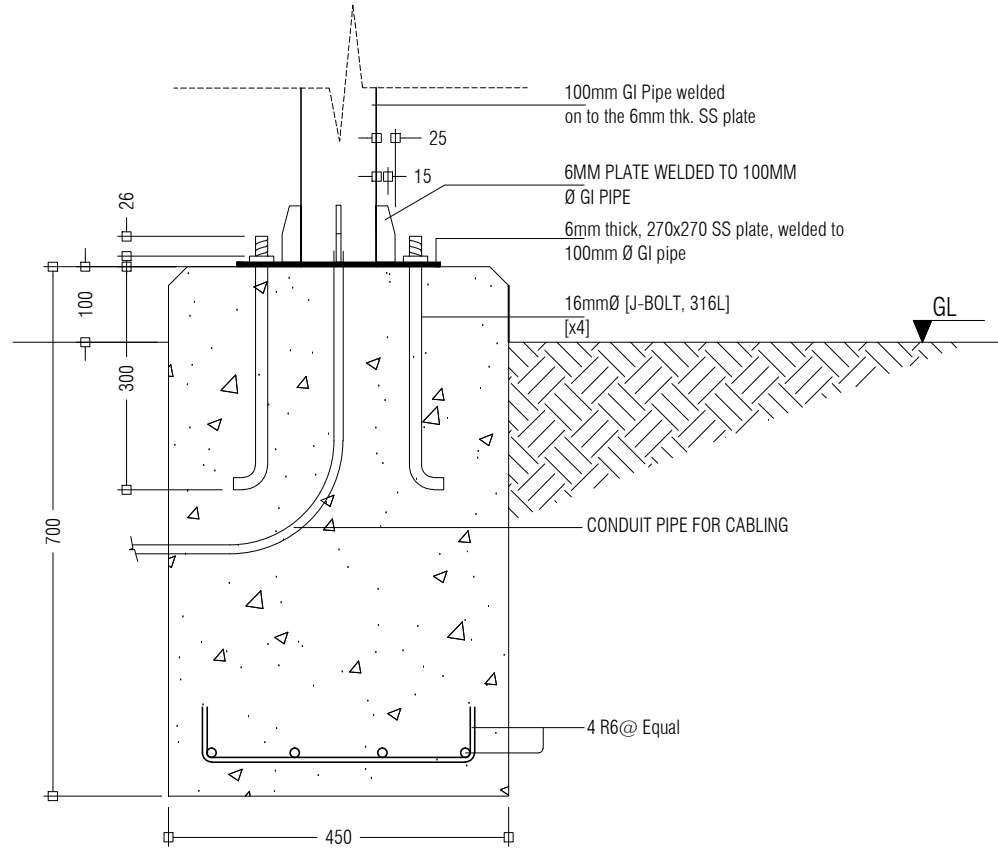
APPROVED BY	PROJECT	DESIGN BY	AMENDMENTS
	CONSTRUCTION OF WASTE MANAGEMENT CENTRE TH. KINBIDHOO	AFRAZ	
	TITLE	STRUCTURE BY	
	LEACHATE WELL [PLAN, SECTION, ELEVATION], GROUND WATER WELL SORTING PLATFORM [PLAN, ELEVATION]	AFRAZ	
	CLIENT DEPARTMENT	DRAWN BY	
	WMPC DEPARTMENT	AFRAZ	
	PAPER SIZE A3	SCALE 1:50	
	PAGE NO. 11	DWG NO. KINB-R3 A1-11	
		DATE 18.04.2018	



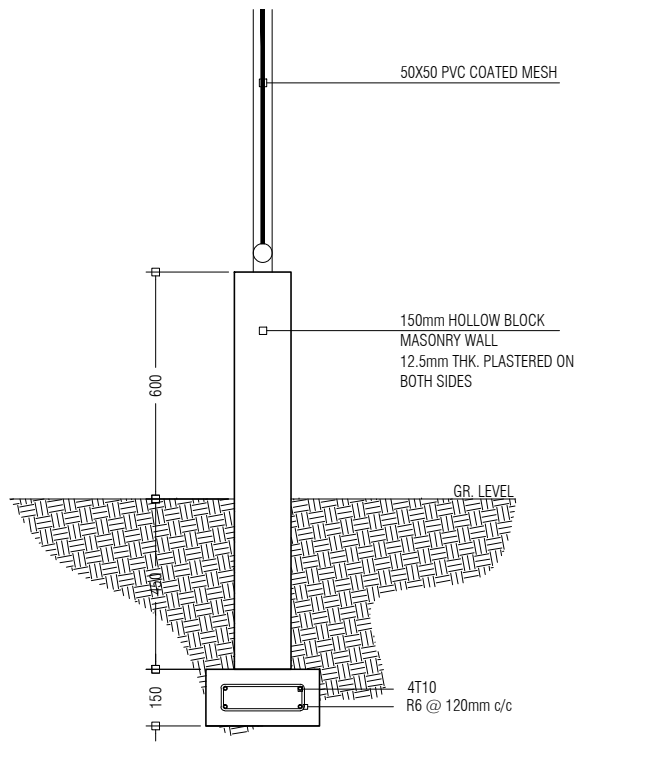


Note:
 * Concrete cover: 50mm
 * GI pipe to be painted with 1 coat of sealer & 2 coats of finishing paint. (Sigma, maroon colour)

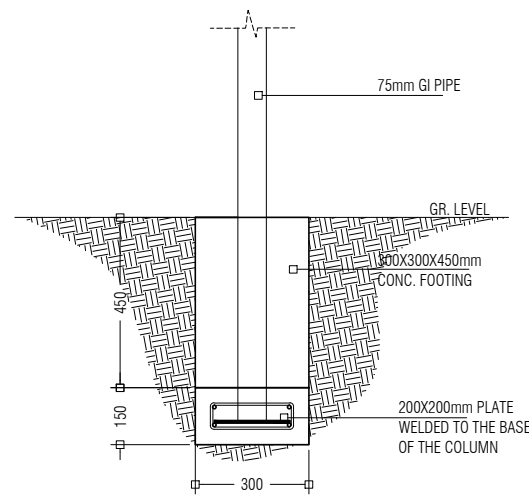
LIGHT POST DETAIL
Scale 1:50



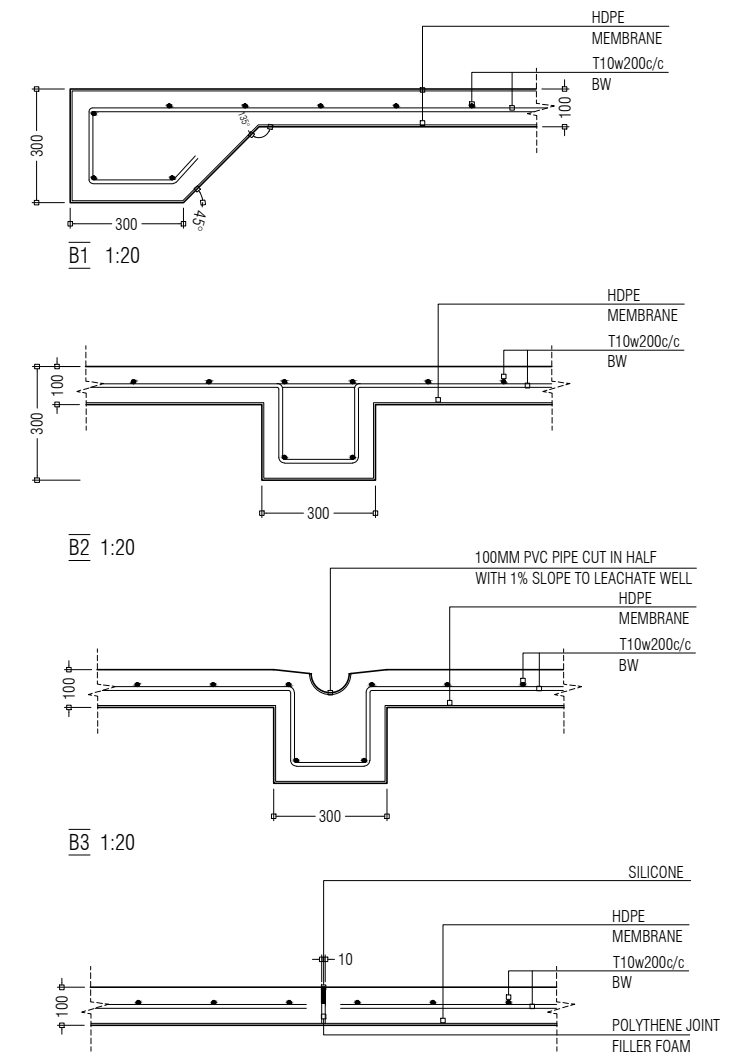
LIGHT POST FOUNDATION FOOTING DETAIL 1:10



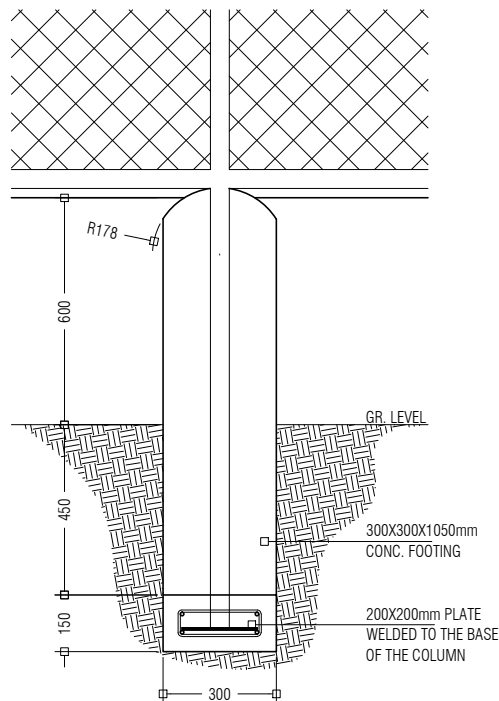
PERIMETER FENCE WALL FOUNDATION DETAIL



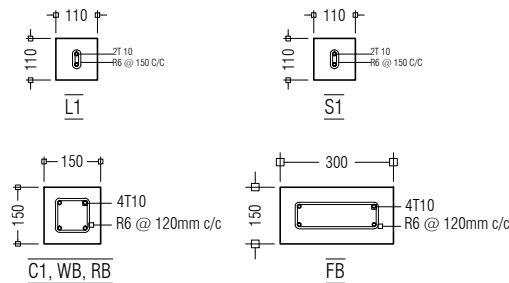
COLUMN AND BEAM DETAILS



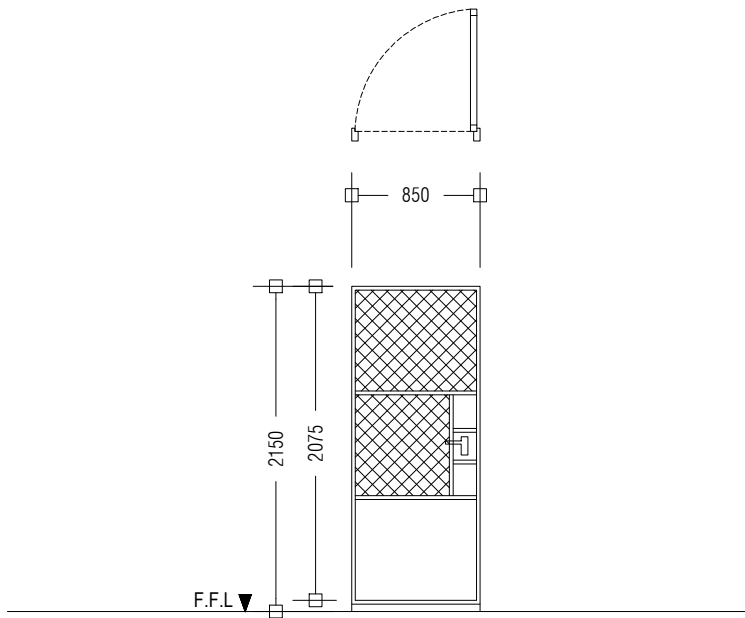
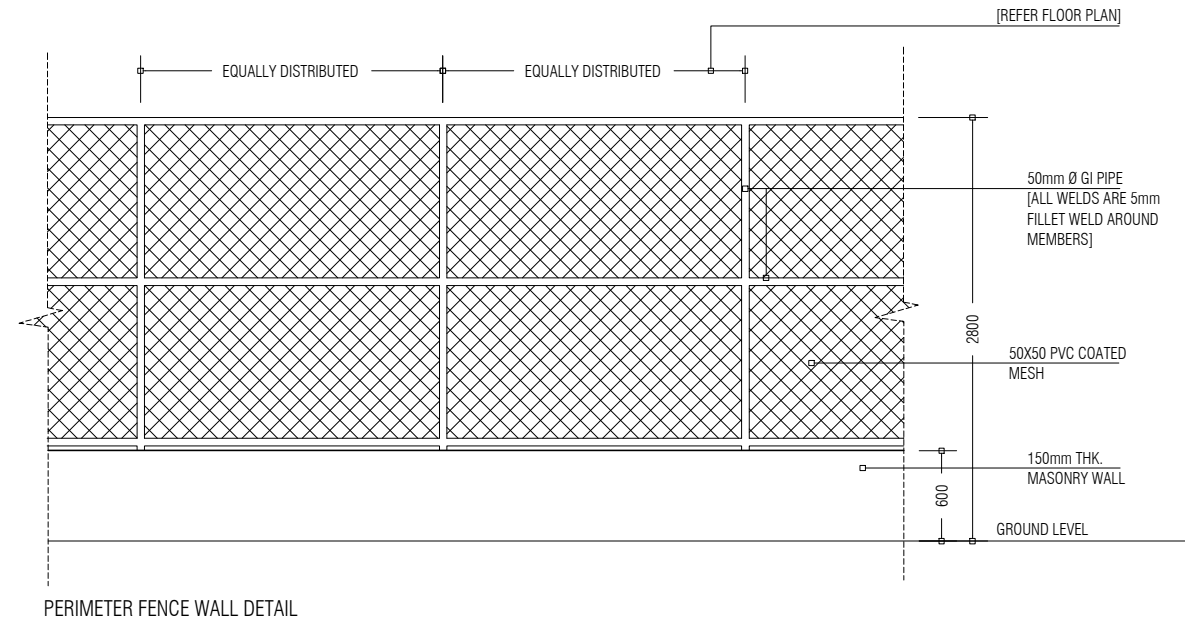
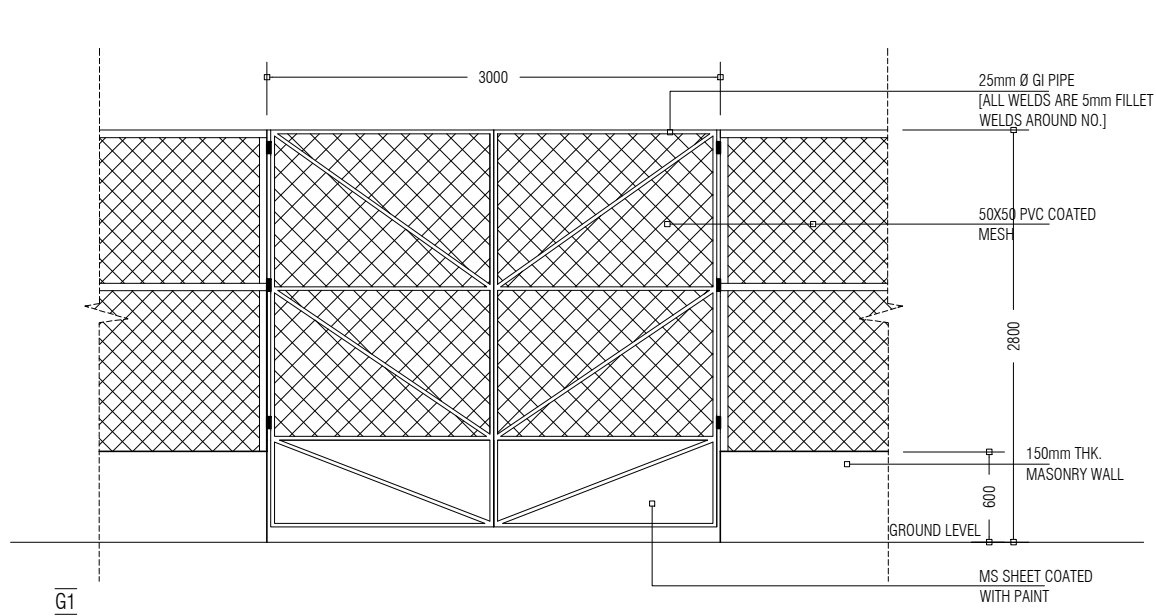
COMPOST BED SLAB DETAIL 1:20



PERIMETER FENCE FOUNDATION DETAIL

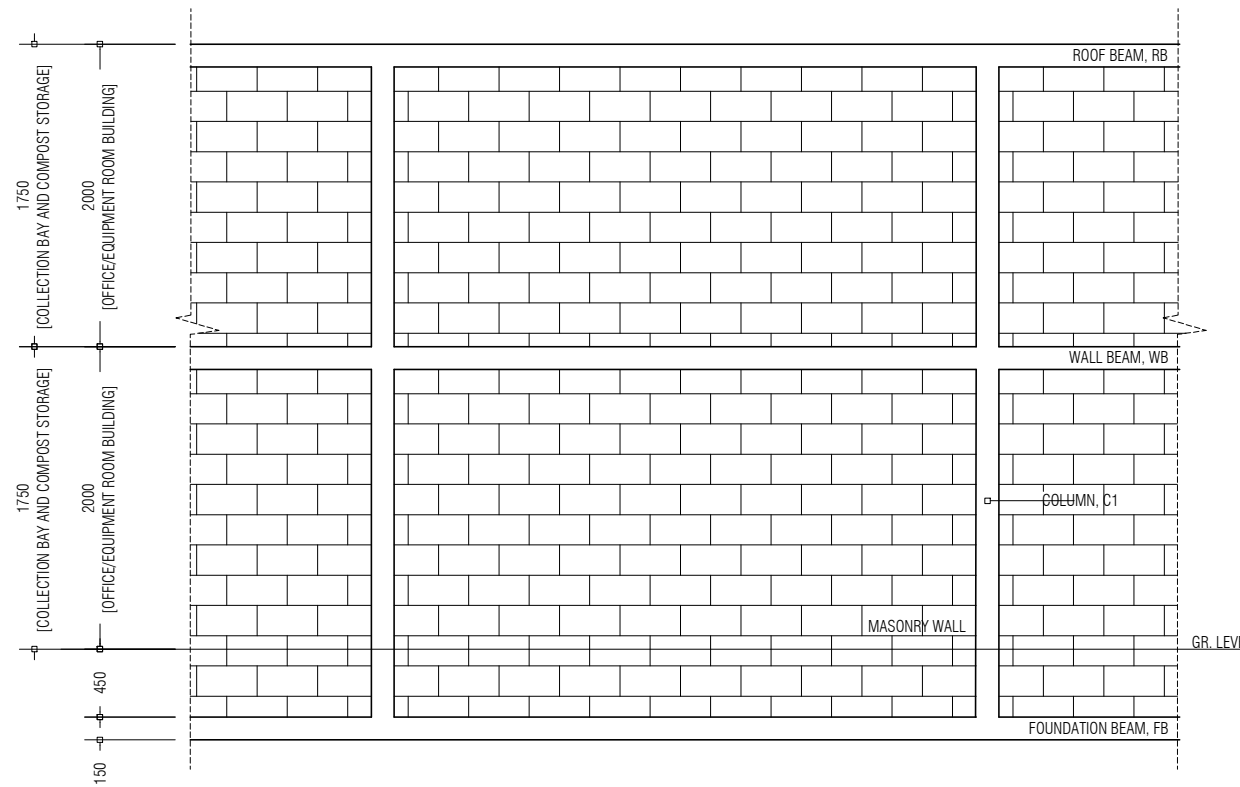


APPROVED BY	PROJECT	DESIGN BY	AMENDMENTS
	CONSTRUCTION OF WASTE MANAGEMENT CENTRE TH. KINBIDHOO	AFRAZ	
	TITLE	STRUCTURE BY	
	DETAILS	AFRAZ	
	CLIENT DEPARTMENT	DRAWN BY	
	WMPC DEPARTMENT	AFRAZ	
PAPER SIZE	A3	SCALE	1:50, 1:20, 1:10
PAGE NO.	12	DWG NO.	KINB-R3 A1-12
		DATE	18.04.2018

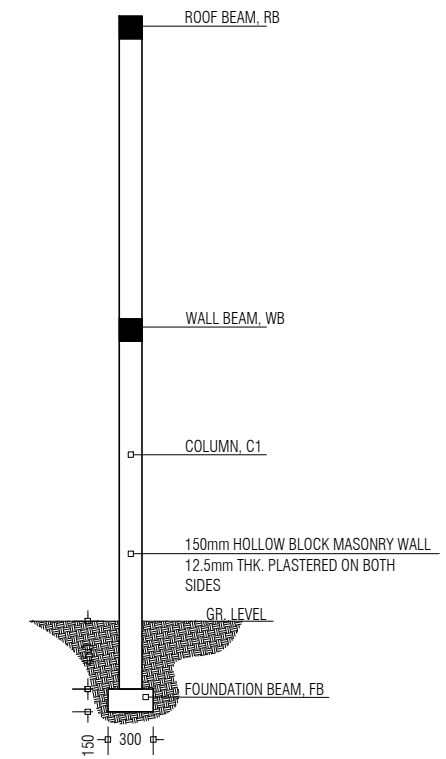


D1	SWING TYPE GATE
REMARKS	GI PIPE (50MM) FRAMED GATE WITH PVC COATED WIRE MESH AND MS SHEET COATED WITH PAINT, GI PIPE TWO COAT PAINTED 01 DOOR KNOB WITH LOCK SET 04 HINGES
LOCATION	GROUND FLOOR
QUANTITY	NO.S 01
OPEN AREA	1.83 m ²

NOTE:
ALL WELDS FOR THE
GI MEMBERS ARE
5mm FILLET WELDS



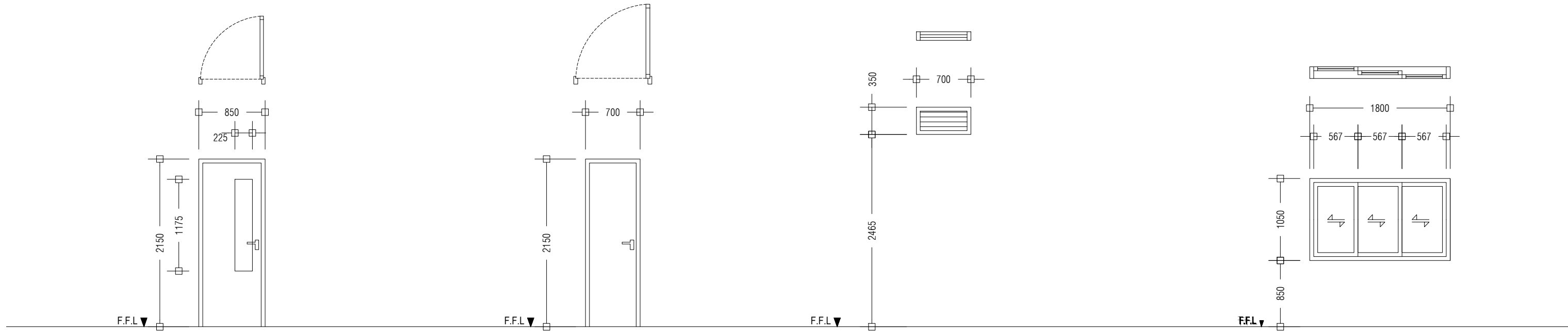
BUILDINGS WALL ELEVATION



BUILDINGS WALL DETAIL

APPROVED BY	PROJECT	DESIGN BY	AMENDMENTS
	CONSTRUCTION OF WASTE MANAGEMENT CENTRE TH. KINBIDHOO	AFRAZ	
	TITLE	STRUCTURE BY	
	GATE SCHEDULE, FENCING DETAIL, WALL DETAIL	AFRAZ	
	CLIENT DEPARTMENT	DRAWN BY	
	WMPC DEPARTMENT	AFRAZ	
PAPER SIZE	A3	SCALE	1:50
PAGE NO.	13	DWG NO.	KINB-R3 A1-13
		DATE	18.04.2018



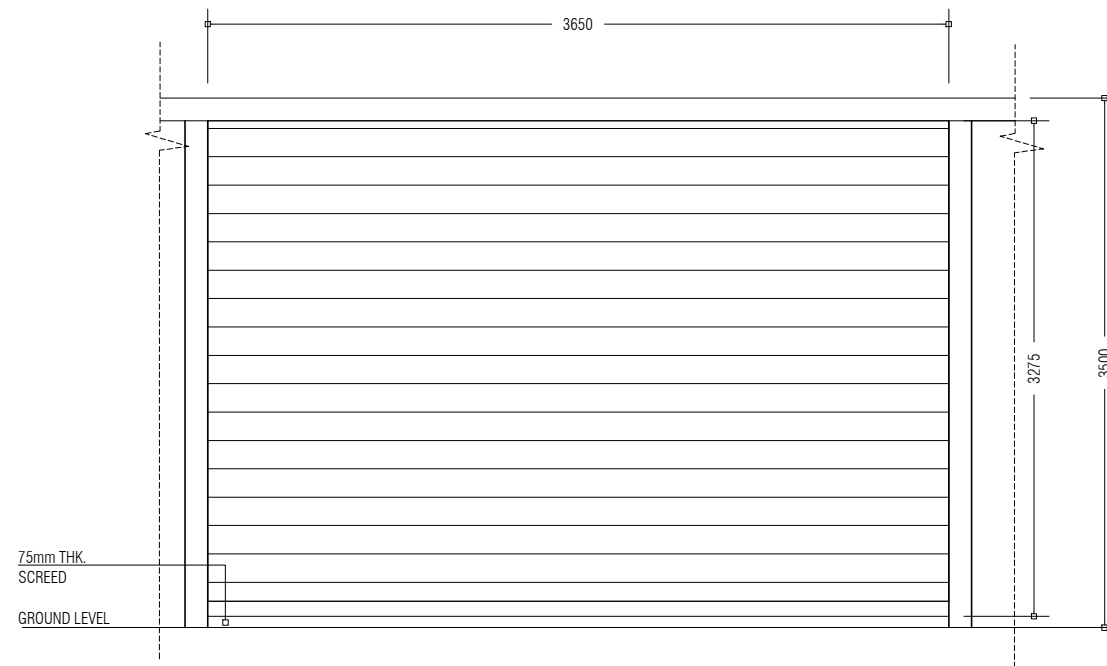


D2	SWING TYPE DOOR
REMARKS	ALUMINUM DOOR WITH CLEAR GLASS PANEL 01 DOOR KNOB WITH LOCK SET 04 HINGES DOOR STOPPER, FINISHED WITH WHITE COATED PAINT
LOCATION	GROUND FLOOR
QUANTITY	NO.S 01
OPEN AREA	1.83 m ²

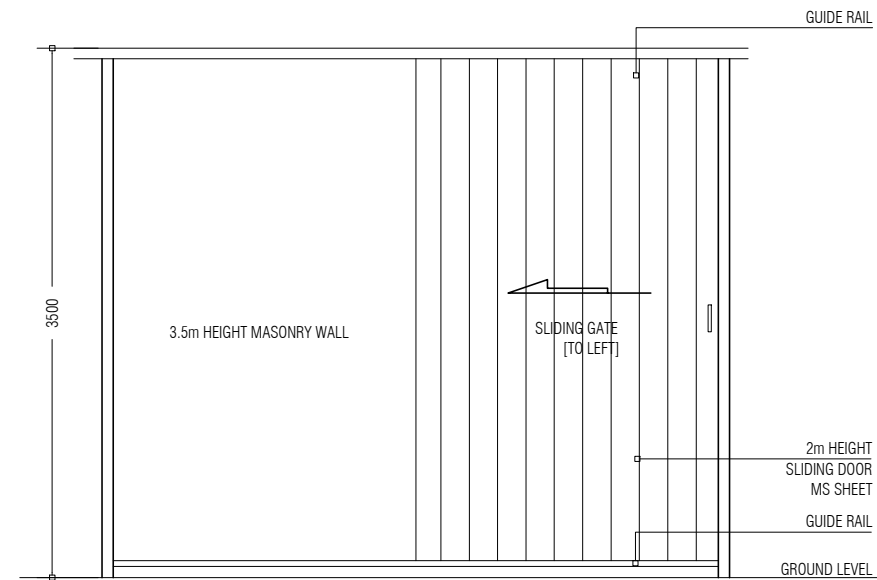
D3	SWING TYPE DOOR
REMARKS	ALUMINIUM DOOR WITH DOOR KNOB AND 1 LOCK SET
LOCATION	GROUND FLOOR
QUANTITY	NO.S 07
OPEN AREA	1.51m ²

W1	ALUMINIUM LOUVER WINDOW
REMARKS	ALUMINUM FRAMED, ALUMINIUM LOUVERED, FINISHED WITH WHITE COATED PAINT
LOCATION	GROUND FLOOR
QUANTITY	NO.S 1
OPEN AREA	0.15 m ²

W2	ALUMINIUM SLIDING WINDOW
REMARKS	ALUMINUM FRAMED, TINTED BLACK GLASS, FINISHED WITH TIMBER POWDER COATED PAINT
LOCATION	GROUND FLOOR
QUANTITY	NO.S 02
OPEN AREA	1.89 m ²



EQUIPMENT ROOM RSD



HAZADIOUS WASTE SD1

APPROVED BY	PROJECT	DESIGN BY	AMENDMENTS
	CONSTRUCTION OF WASTE MANAGEMENT CENTRE TH. KINBIDHOO	AFRAZ	
	TITLE	STRUCTURE BY	
	DOOR AND WINDOW SCHEDULE	AFRAZ	
	CLIENT DEPARTMENT	DRAWN BY	
	WMPC DEPARTMENT	AFRAZ	
	PAPER SIZE A3	SCALE	1:50
	PAGE NO. 14	DWG NO.	KINB-R3 A1-14
		DATE	18.04.2018