

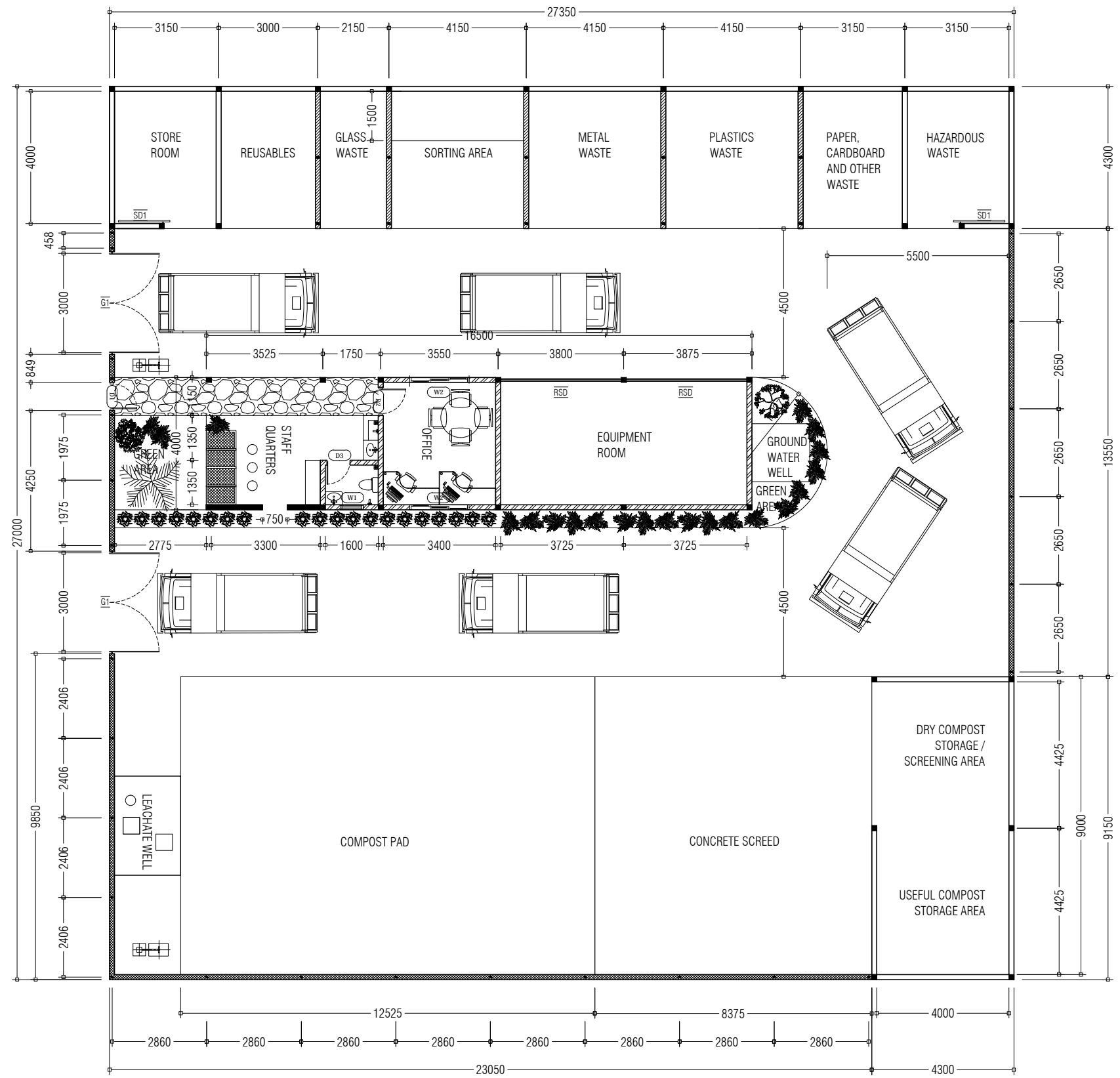
# CONSTRUCTION OF TH. MADIFUSHI ISLAND WASTE MANAGEMENT CENTRE



PREPARED BY:  
MALDIVES CLEAN ENVIRONMENT PROJECT  
MINISTRY OF ENVIRONMENT AND ENERGY

---

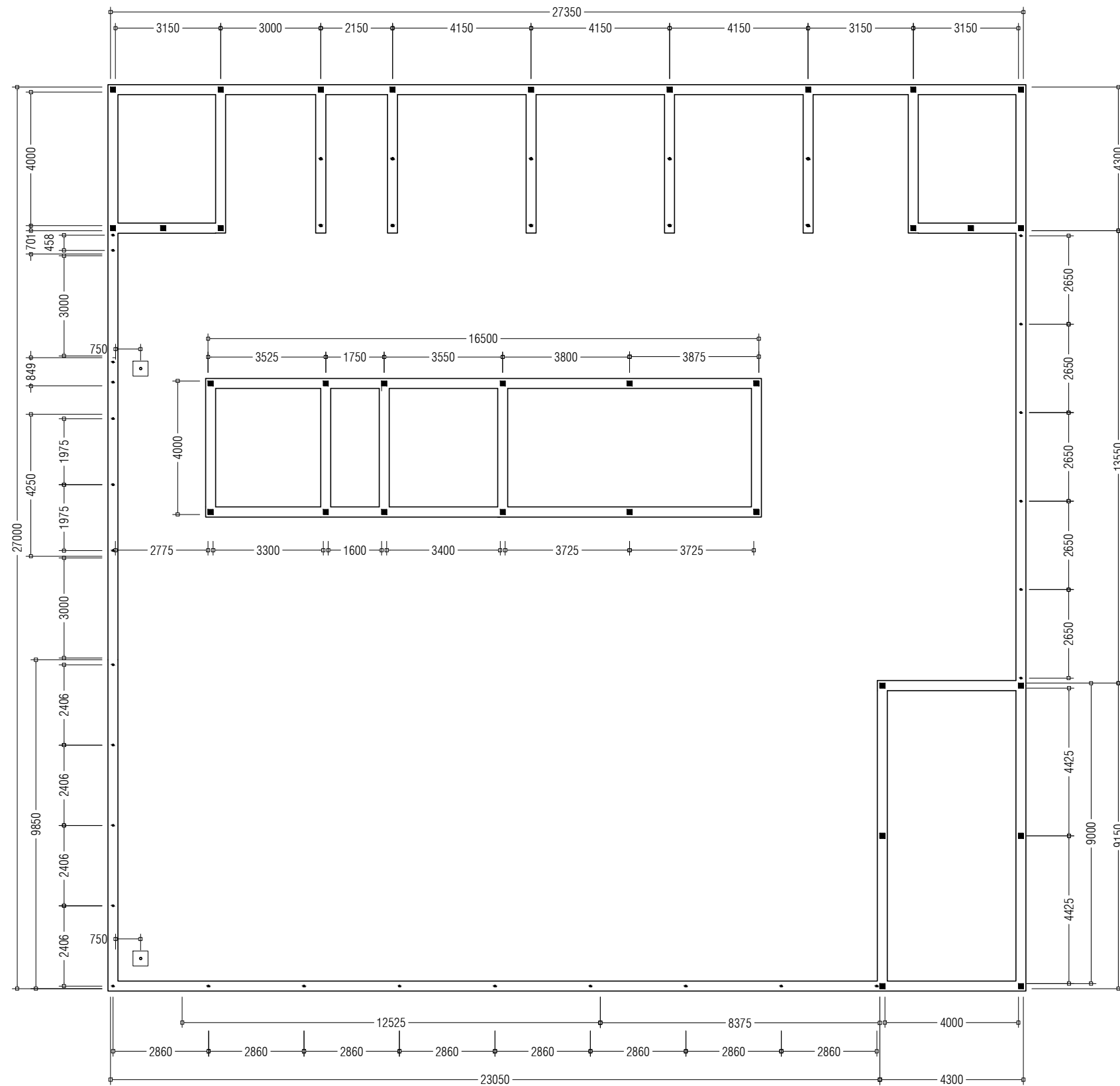
2018



- NOTE:
- 750mm HEIGHT WALL [150mm HOLLOW BOCK]
  - 1500mm HEIGHT WALL [150mm HOLLOW BOCK]
  - 3500mm HEIGHT WALL [150mm HOLLOW BOCK]
  - 4000mm HEIGHT WALL [150mm HOLLOW BOCK]
  - PERIMETER FENCE [150mm HOLLOW BOCK]

APPROVED BY	PROJECT	DESIGN BY	AMENDMENTS
	CONSTRUCTION OF WASTE MANAGEMENT CENTRE TH. MADIFUSHI	AFRAZ	
	TITLE	STRUCTURE BY	
	FLOOR PLAN	AFRAZ	
	CLIENT DEPARTMENT	DRAWN BY	
	WMPC DEPARTMENT	AFRAZ	
	PAPER SIZE A3	SCALE 1:150	
	PAGE NO. 01	DWG NO. MADI-R3 A1-01	
		DATE 18.04.2018	

**MCEP**  
 MINISTRY OF ENVIROMENT AND ENERGY  
 GREEN BUILDING, HANDHUVAREE HIGUN,  
 MAAFANNU, MALE (20392), REPUBLIC OF MALDIVES,  
 TEL: +960-3018431, +960-3018300, FAX: +960-328301



APPROVED BY

PROJECT

DESIGN BY

AMENDMENTS

CONSTRUCTION OF WASTE MANAGEMENT CENTRE  
TH. MADIFUSHI

AFRAZ

TITLE

STRUCTURE BY

FOUNDATION BEAM PLAN

AFRAZ

CLIENT DEPARTMENT

DRAWN BY

WMPC DEPARTMENT

AFRAZ

PAPER SIZE A3

SCALE

1:150

PAGE NO. 02

DWG NO.

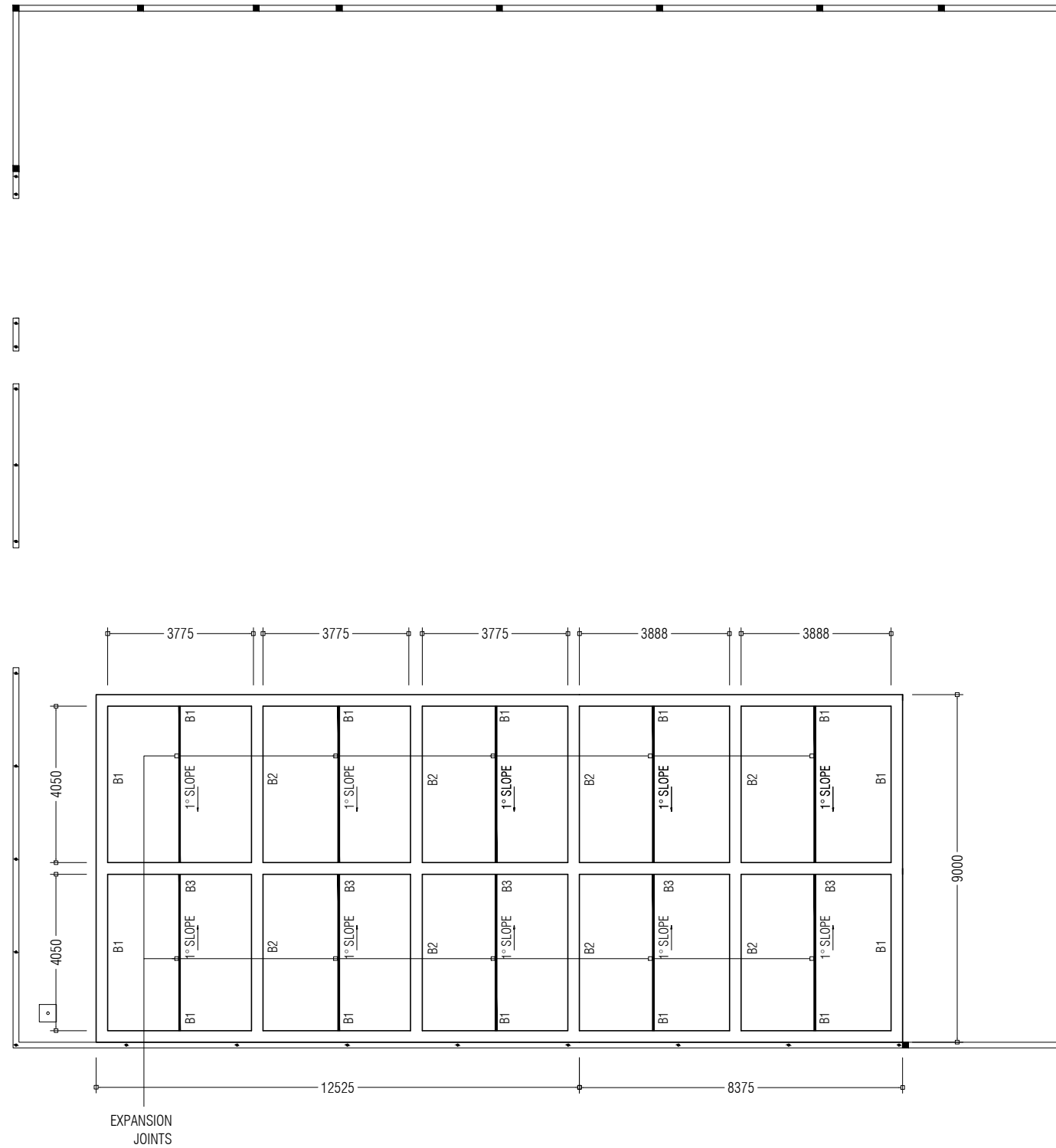
MADI-R3 A1-02

DATE

18.04.2018



MCEP  
MINISTRY OF ENVIRONMENT AND ENERGY  
GREEN BUILDING, HANDHUVAREE HIGUN,  
MAAFANNU, MALE (20392), REPUBLIC OF MALDIVES,  
TEL: +960-3018431, +960-3018300, FAX: +960-328301



APPROVED BY

PROJECT

DESIGN BY

AMENDMENTS

CONSTRUCTION OF WASTE MANAGEMENT CENTRE  
TH. MADIFUSHI

AFRAZ

TITLE

STRUCTURE BY

COMPOST PAD FOUNDATION BEAM PLAN

AFRAZ

CLIENT DEPARTMENT

DRAWN BY

WMPC DEPARTMENT

AFRAZ

PAPER SIZE A3

SCALE 1:150

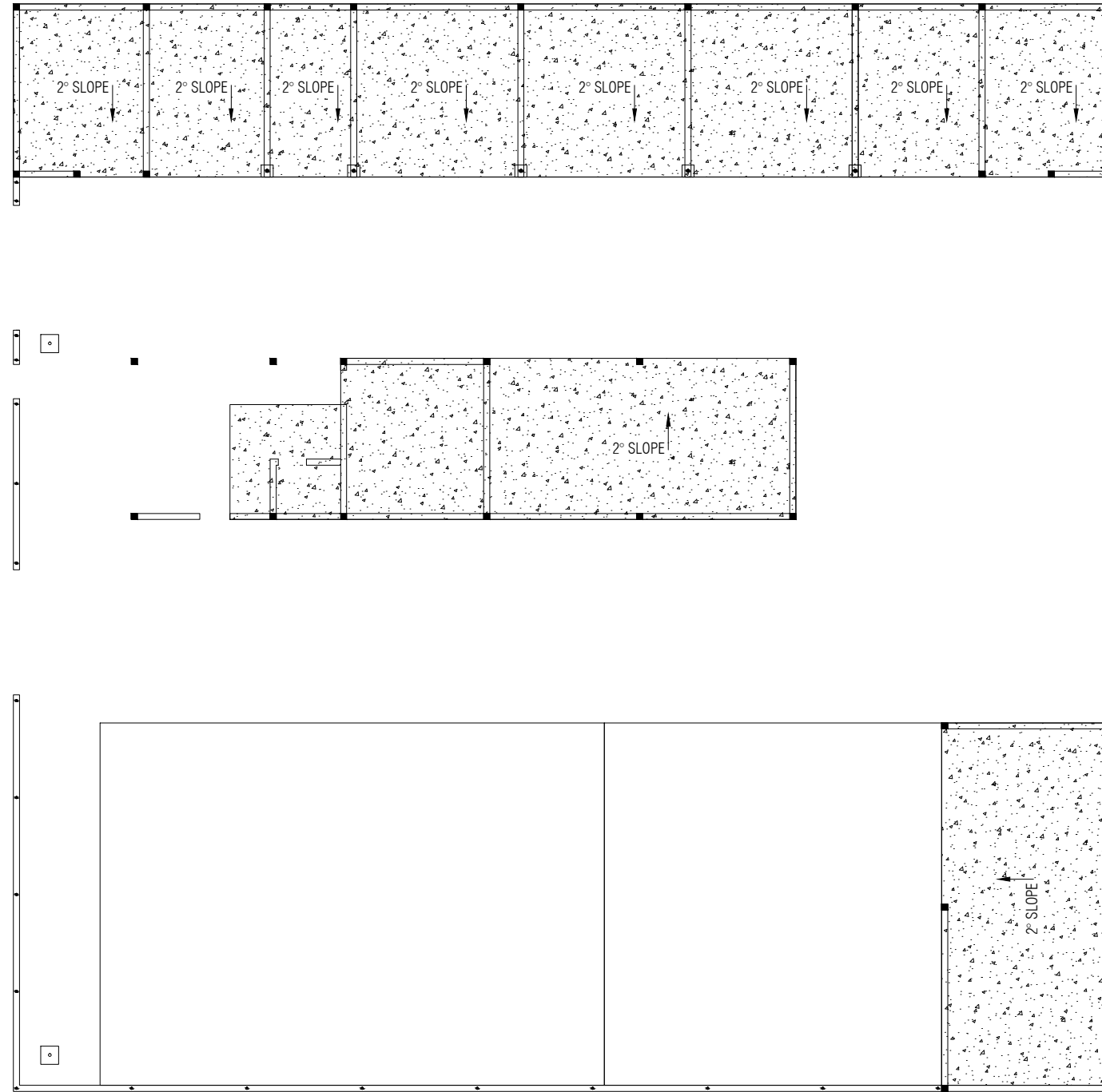
PAGE NO. 03

DWG NO. MADI-R3 A1-03

DATE 18.04.2018



MCEP  
MINISTRY OF ENVIROMENT AND ENERGY  
GREEN BUILDING, HANDHUVAREE HIGUN,  
MAAFANNU, MALE (20392), REPUBLIC OF MALDIVES,  
TEL: +960-3018431, +960-3018300, FAX: +960-328301



APPROVED BY

PROJECT

DESIGN BY

AMENDMENTS

CONSTRUCTION OF WASTE MANAGEMENT CENTRE  
TH. MADIFUSHI

AFRAZ

TITLE  
FLOOR SCREED PLAN

STRUCTURE BY

AFRAZ

CLIENT DEPARTMENT  
WMPC DEPARTMENT

DRAWN BY

AFRAZ

PAPER SIZE A3

SCALE 1:150

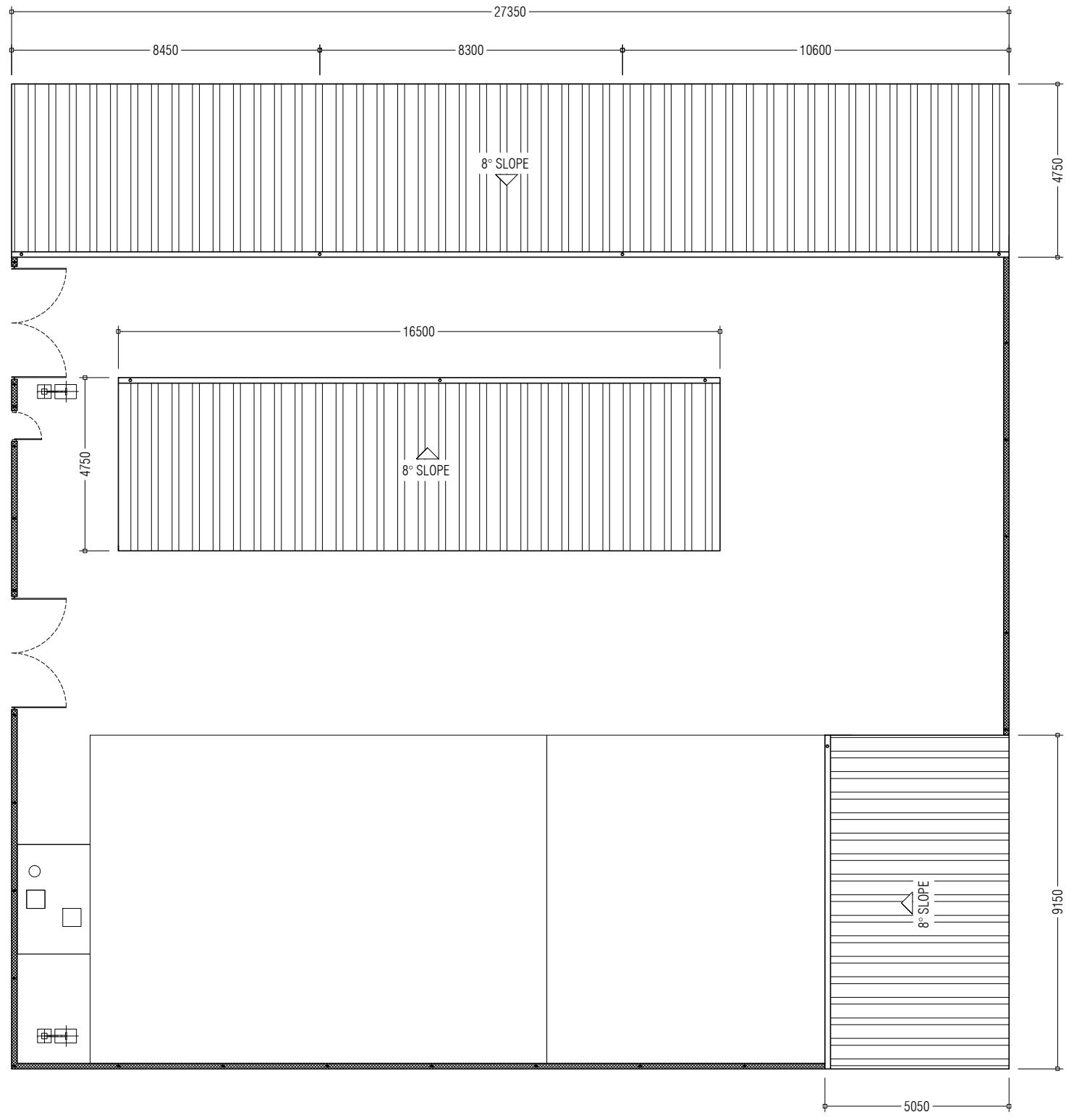
PAGE NO. 04

DWG NO. MADI-R3 A1-04

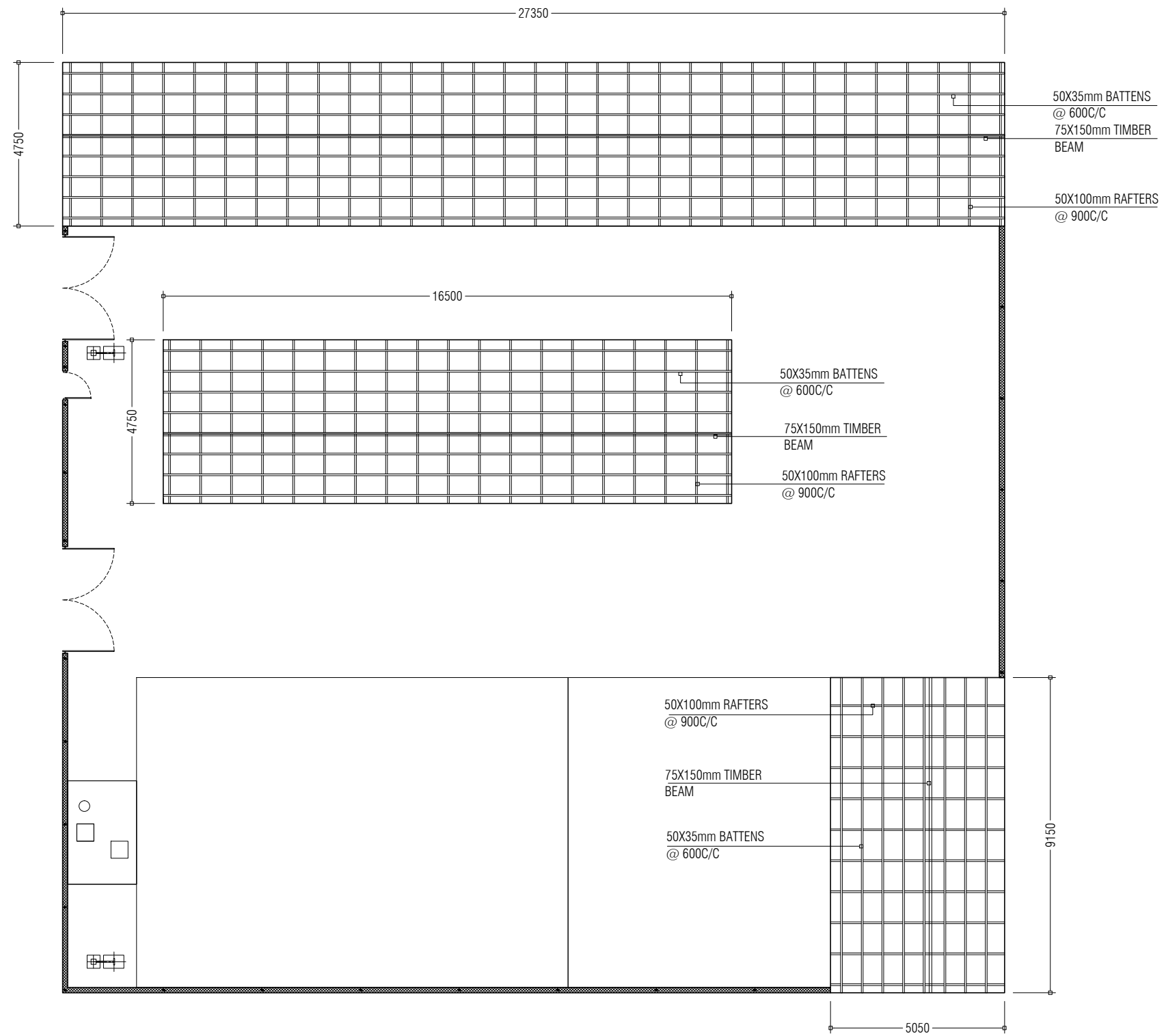
DATE 18.04.2018



MCEP  
MINISTRY OF ENVIROMENT AND ENERGY  
GREEN BUILDING, HANDHUVAREE HIGUN,  
MAAFANNU, MALE (20392), REPUBLIC OF MALDIVES,  
TEL: +960-3018431, +960-3018300, FAX: +960-328301



APPROVED BY	PROJECT	DESIGN BY	AMENDMENTS
	CONSTRUCTION OF WASTE MANAGEMENT CENTRE TH. MADIFUSHI	AFRAZ	
	TITLE ROOF PLAN	STRUCTURE BY AFRAZ	
	CLIENT DEPARTMENT WMPC DEPARTMENT	DRAWN BY AFRAZ	
	PAPER SIZE A3	SCALE 1:150	
	PAGE NO. 05	DWG NO. MADI-R3 A1-05	
		DATE 18.04.2018	



APPROVED BY

PROJECT

DESIGN BY

AMENDMENTS

CONSTRUCTION OF WASTE MANAGEMENT CENTRE  
TH. MADIFUSHI

AFRAZ

TITLE

STRUCTURE BY

ROOF FRAMING

AFRAZ

CLIENT DEPARTMENT

DRAWN BY

WMPC DEPARTMENT

AFRAZ

PAPER SIZE A3

SCALE 1:150

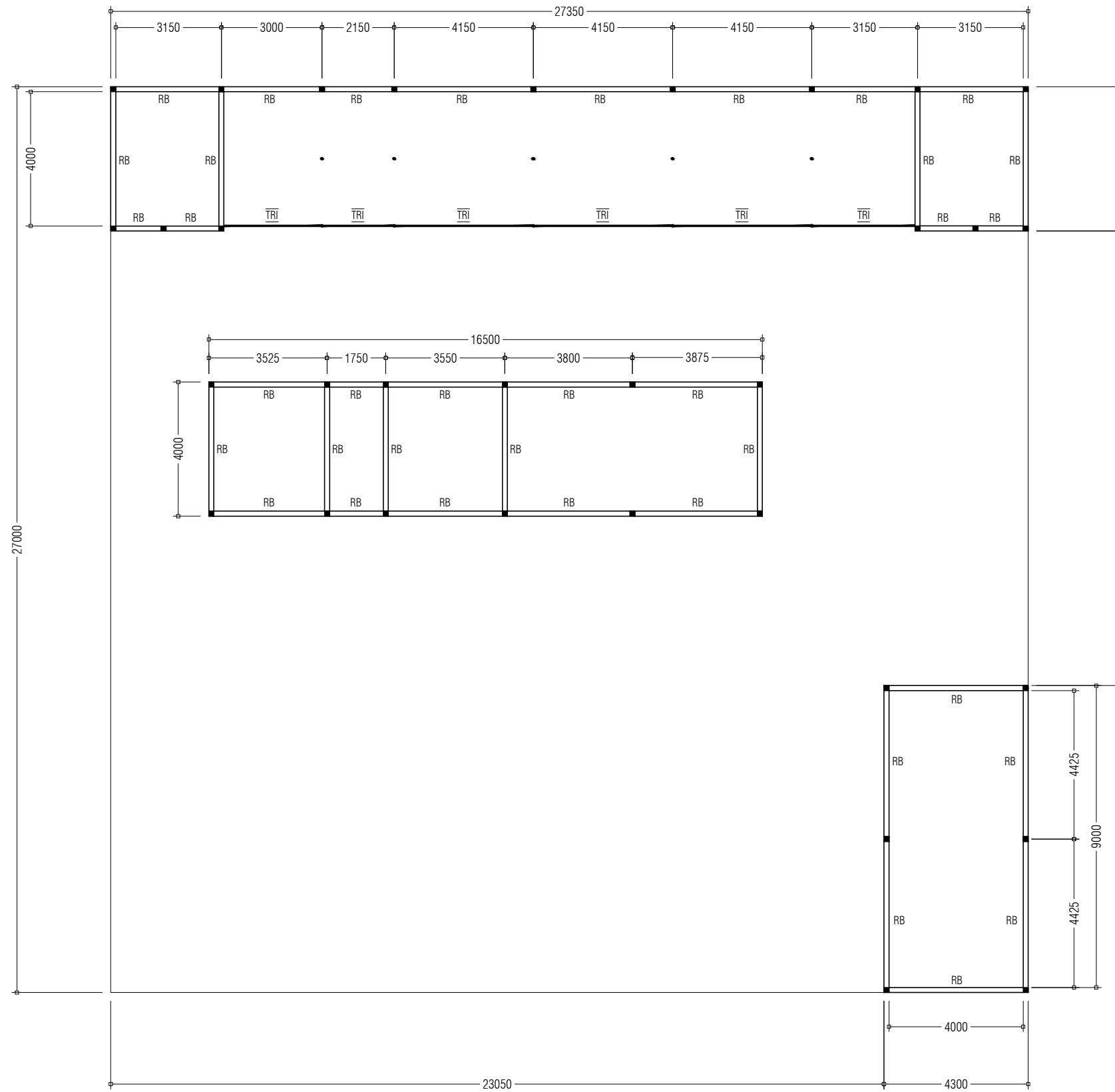
PAGE NO. 06

DWG NO. MADI-R3 A1-06

DATE 18.04.2018



MCEP  
MINISTRY OF ENVIROMENT AND ENERGY  
GREEN BUILDING, HANDHUVAREE HIGUN,  
MAAFANNU, MALE' (20392), REPUBLIC OF MALDIVES.  
TEL: +960-3018431, +960-3018300, FAX: +960-328301



APPROVED BY

PROJECT

DESIGN BY

AMENDMENTS

CONSTRUCTION OF WASTE MANAGEMENT CENTRE  
TH. MADIFUSHI

AFRAZ

TITLE  
ROOF BEAM PLAN

STRUCTURE BY

AFRAZ

CLIENT DEPARTMENT  
WMPC DEPARTMENT

DRAWN BY

AFRAZ

PAPER SIZE A3

SCALE 1:150

PAGE NO. 07

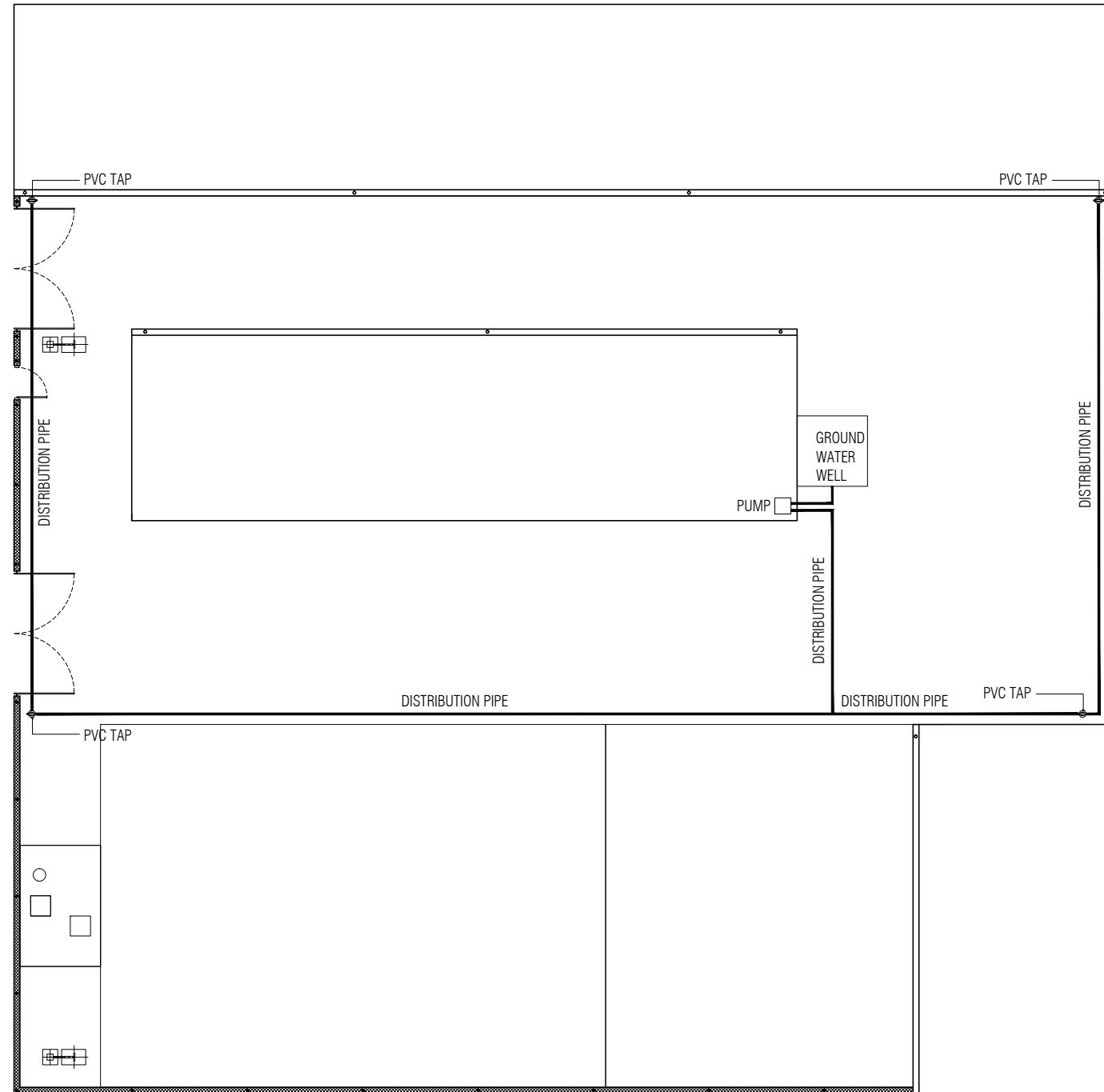
DWG NO. MADI-R3 A1-07

DATE 18.04.2018



MCEP  
MINISTRY OF ENVIROMENT AND ENERGY  
GREEN BUILDING, HANDHUVAREE HIGUN,  
MAAFANNU, MALE' (20392), REPUBLIC OF MALDIVES.  
TEL: +960-3018431, +960-3018300, FAX: +960-328301





APPROVED BY

PROJECT  
CONSTRUCTION OF WASTE MANAGEMENT CENTRE  
TH. MADIFUSHI

DESIGN BY  
AFRAZ

AMENDMENTS

TITLE  
ROOF BEAM PLAN

STRUCTURE BY  
AFRAZ

CLIENT DEPARTMENT  
WMPC DEPARTMENT

DRAWN BY  
AFRAZ

PAPER SIZE A3

SCALE 1:150

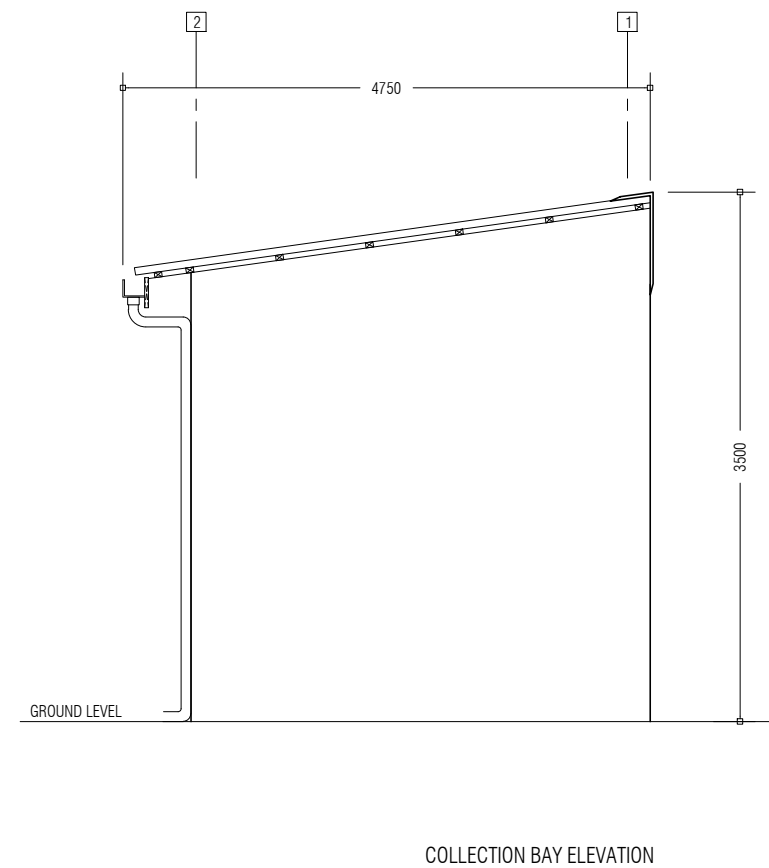
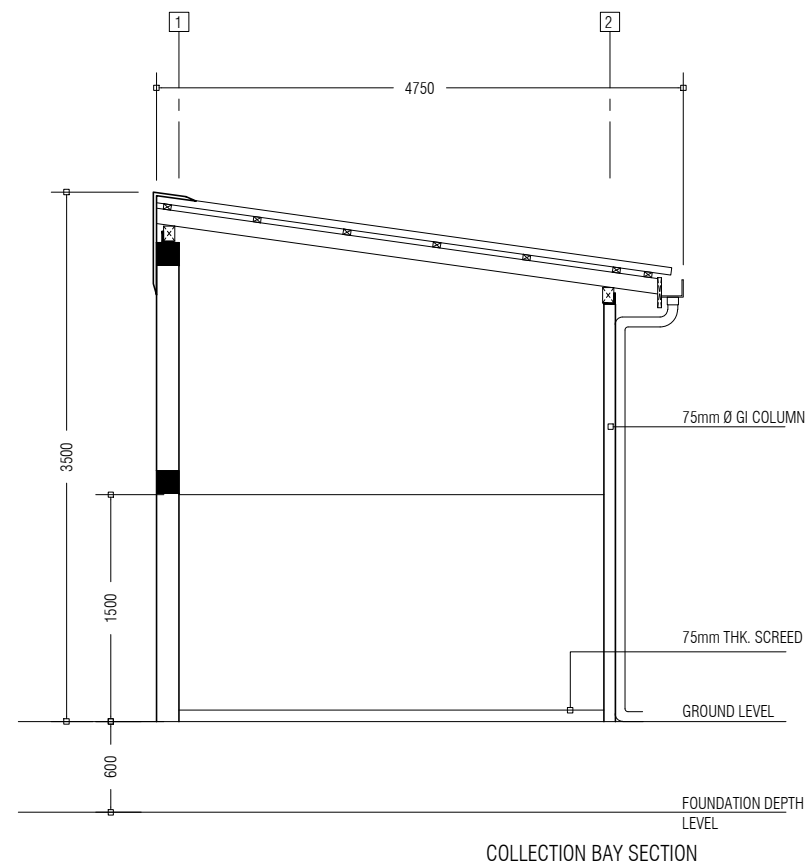
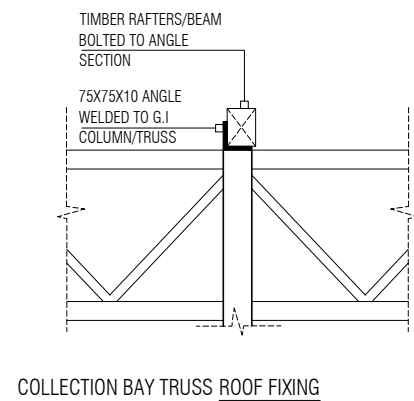
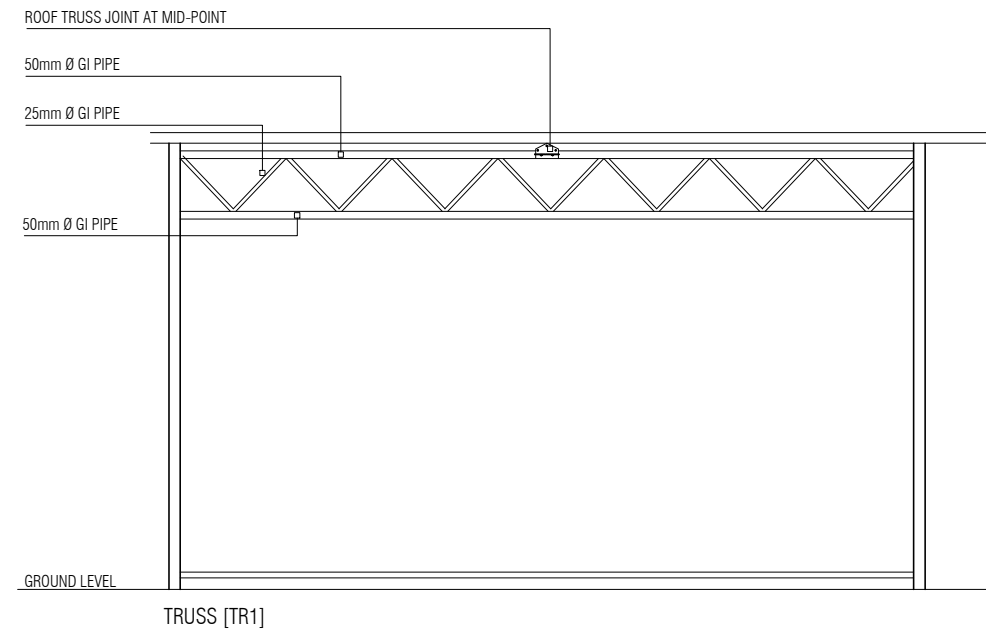
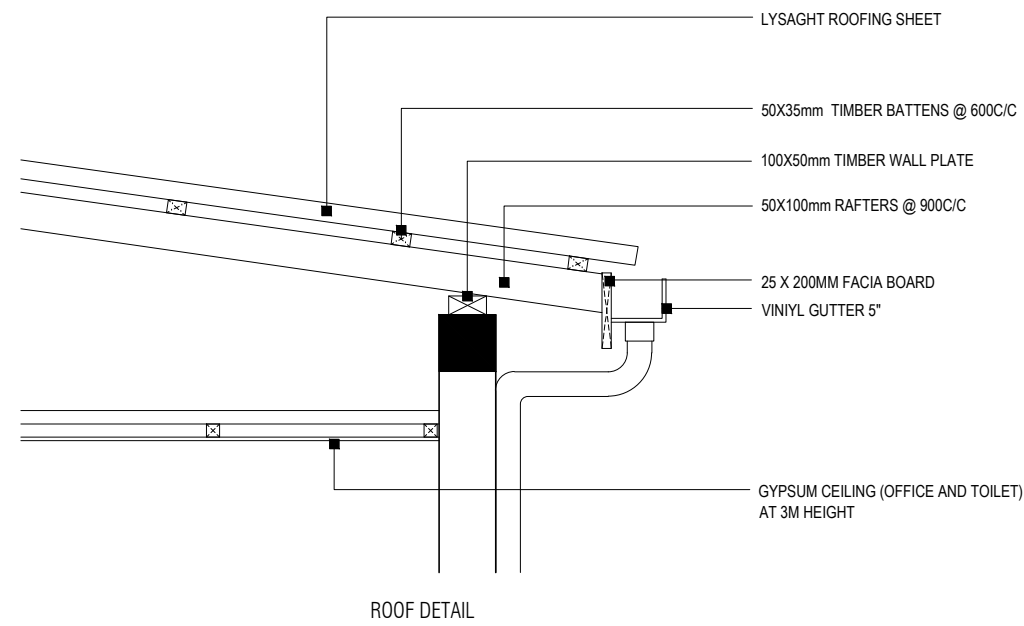
PAGE NO. 08

DWG NO. MADI-R3 A1-08

DATE 18.04.2018



MCEP  
MINISTRY OF ENVIROMENT AND ENERGY  
GREEN BUILDING, HANDHUVAREE HIGUN,  
MAAFANNU, MALÉ (20392), REPUBLIC OF MALDIVES.  
TEL: +960-3018431, +960-3018300, FAX: +960-328301



APPROVED BY



MCEP  
MINISTRY OF ENVIROMENT AND ENERGY  
GREEN BUILDING, HANDHUVAREE HIGUN,  
MAAFANNU, MALÉ (20392), REPUBLIC OF MALDIVES.  
TEL: +960-3018431, +960-3018300, FAX: +960-328301

PROJECT  
CONSTRUCTION OF WASTE MANAGEMENT CENTRE  
TH. MADIFUSHI

TITLE  
ELEVATIONS AND SECTIONS

CLIENT DEPARTMENT  
WMPC DEPARTMENT

PAPER SIZE A3  
PAGE NO. 09

DESIGN BY  
AFRAZ

STRUCTURE BY  
AFRAZ

DRAWN BY  
AFRAZ

SCALE 1:150  
DWG NO. MADI-R3 A1-09  
DATE 18.04.2018

AMENDMENTS

LEGEND

METER BOARD



DISTRIBUTION BOARDS



20W LED LIGHT (DAY LIGHT)



18W CEILING MOUNT LIGHT (WARM WHITE)



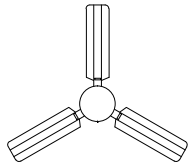
13AMP DOUBLE SOCKET



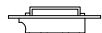
3 PHASE, 15A POWER POINTS (1.5m ABOVE GROUND)



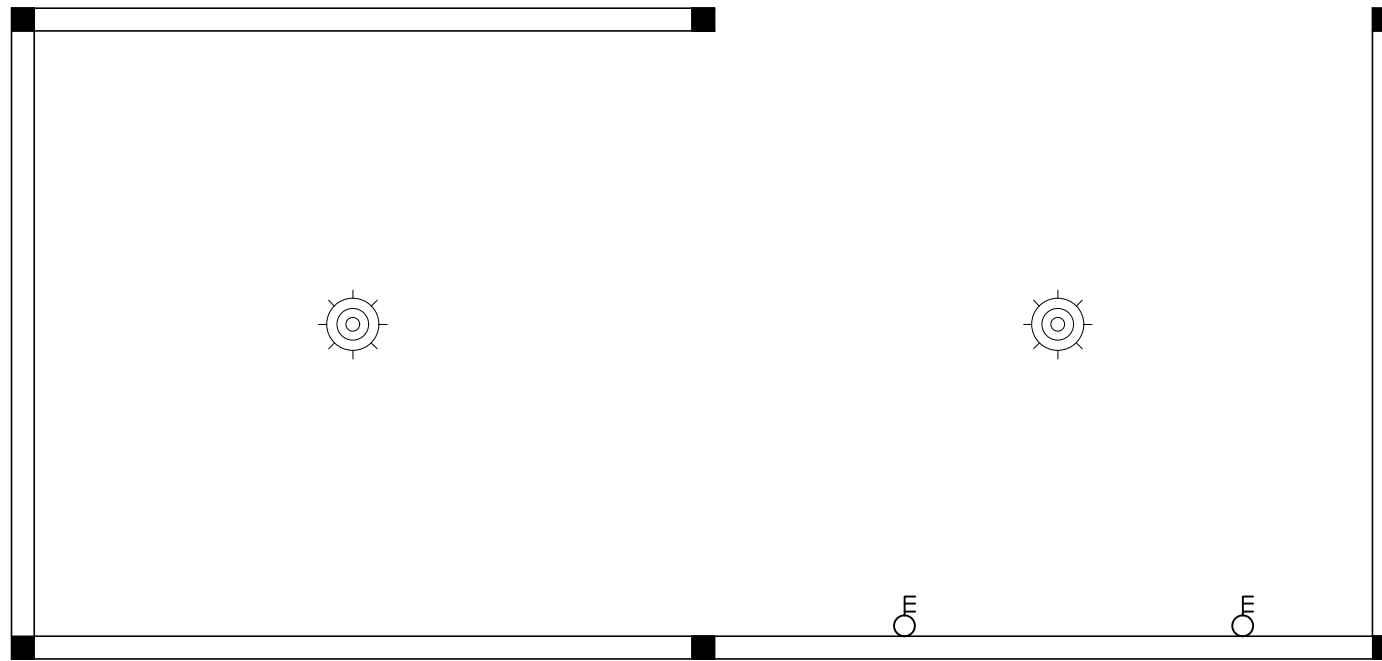
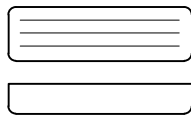
CEILING FAN



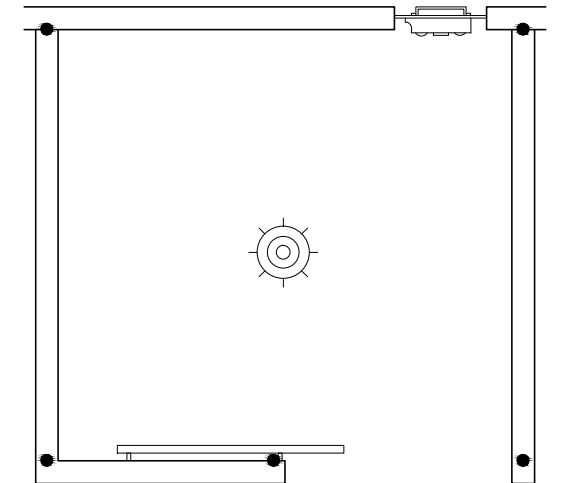
EXHAUST FAN



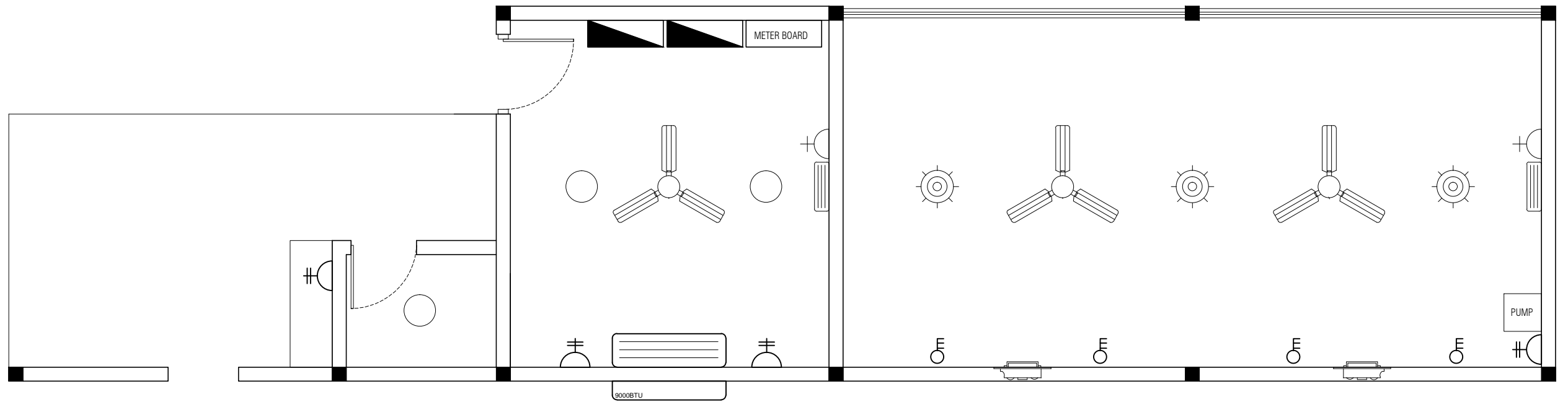
AC WITH OUTLET



COMPOST SCREENING AND STORAGE AREA



HAZARDOUS WASTE AND STORE



EQUIPMENT ROOM, OFFICE AND STAFF QUARTERS ELECTRICAL PLAN

APPROVED BY

PROJECT

DESIGN BY

AMENDMENTS

CONSTRUCTION OF WASTE MANAGEMENT CENTRE  
TH. MADIFUSHI

AFRAZ

TITLE  
ELECTRICAL PLAN

STRUCTURE BY

AFRAZ

CLIENT DEPARTMENT  
WMPC DEPARTMENT

DRAWN BY

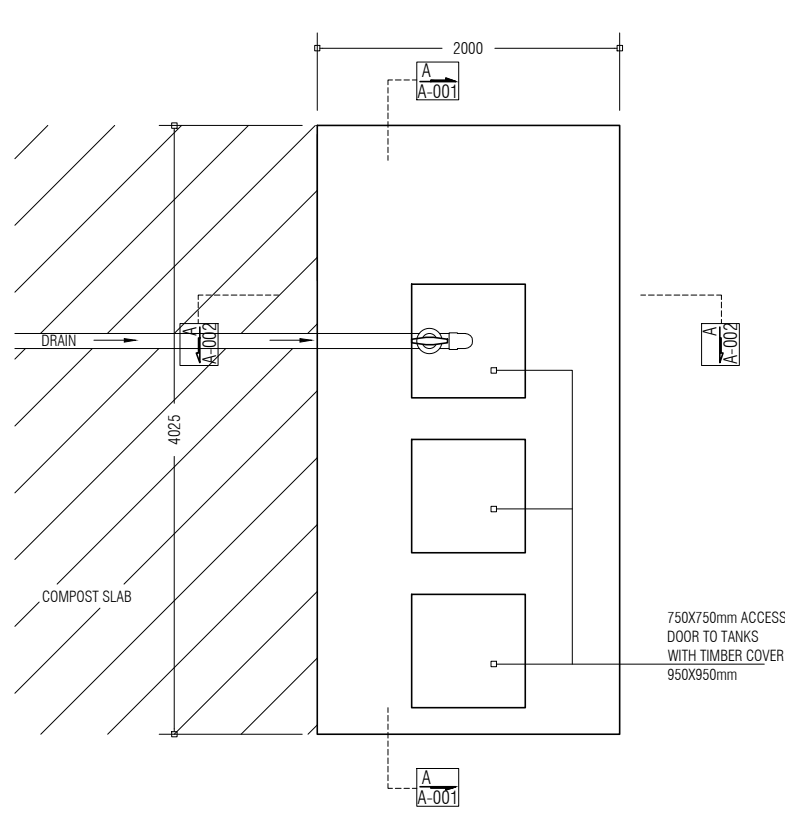
AFRAZ

PAPER SIZE A3  
PAGE NO. 10

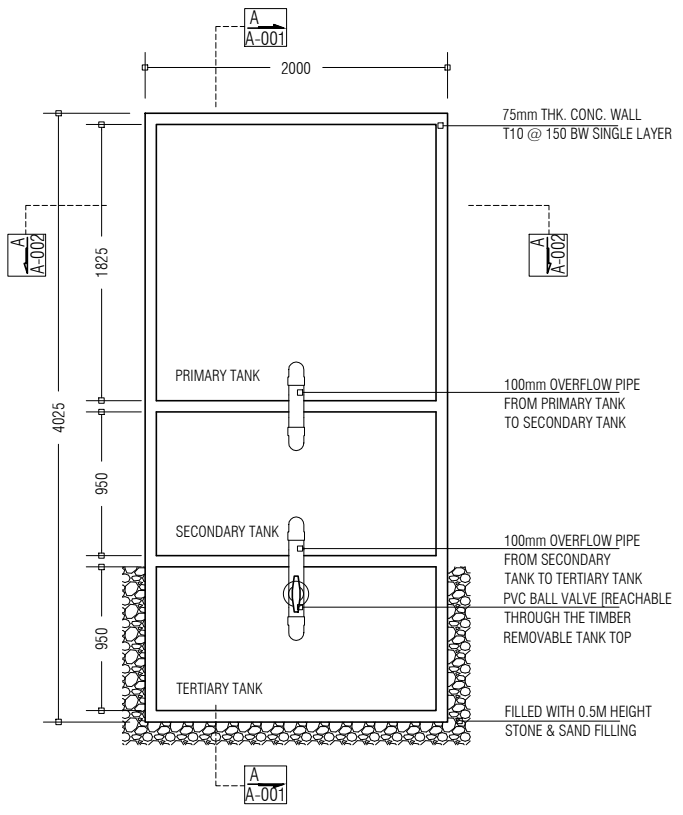
SCALE 1:150  
DWG NO. MADI-R3 A1-10  
DATE 18.04.2018



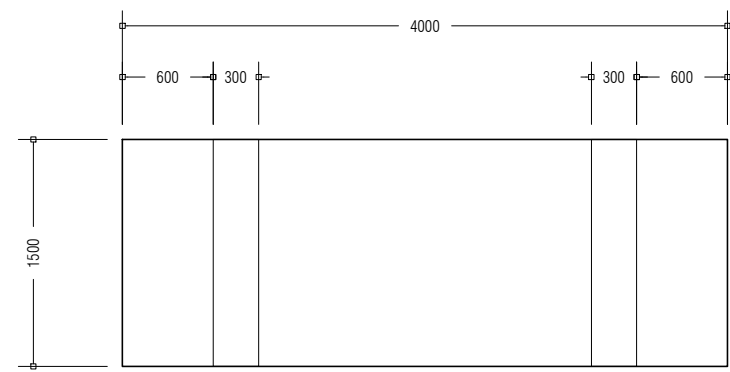
MCEP  
MINISTRY OF ENVIROMENT AND ENERGY  
GREEN BUILDING, HANDHUVAREE HIGUN,  
MAAFANNU, MALE' (20392), REPUBLIC OF MALDIVES.  
TEL: +960-3018431, +960-3018300, FAX: +960-328301



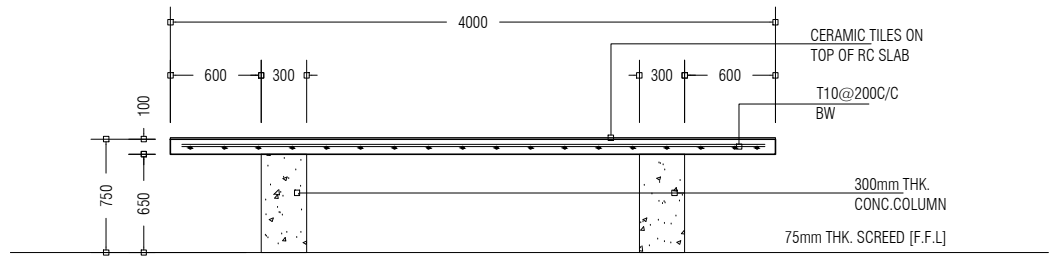
LEACHATE WELL TOP PLAN



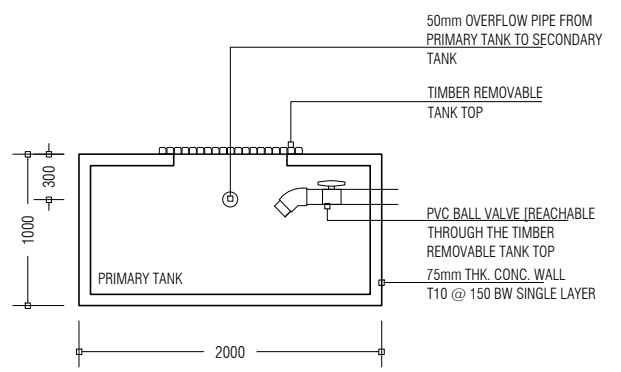
PLAN



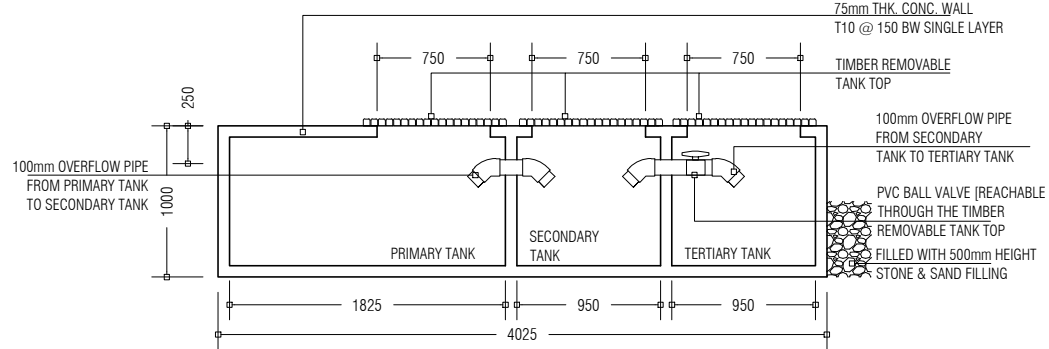
SORTING PLATFORM: TOP VIEW



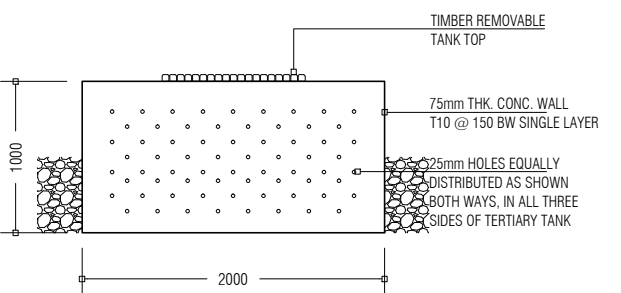
SORTING PLATFORM: FRONT VIEW



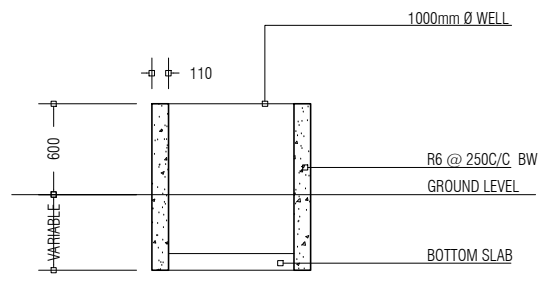
A-002



A-001



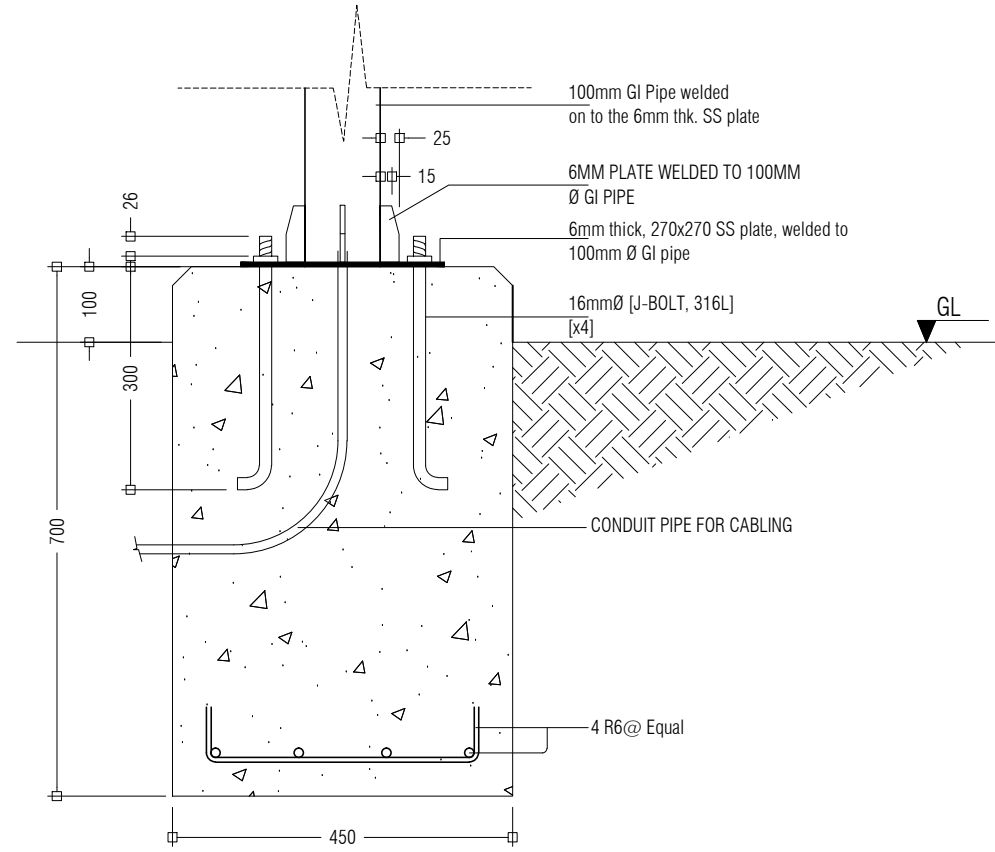
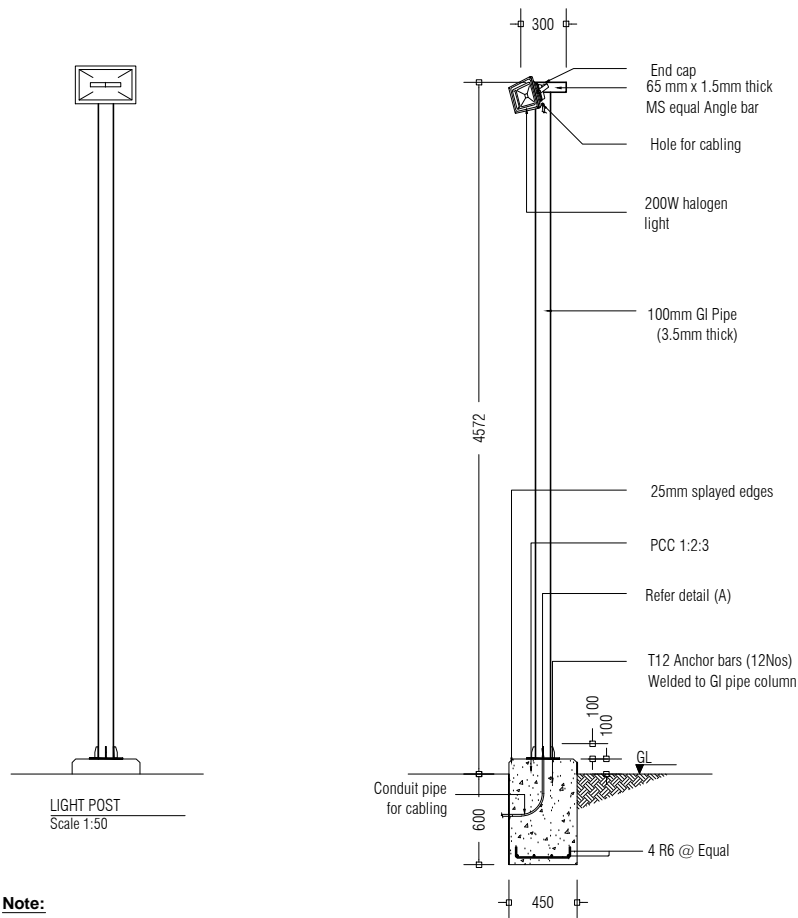
TERTIARY TANK SIDE VIEW



GROUND WATER WELL

APPROVED BY	PROJECT	DESIGN BY	AMENDMENTS
	CONSTRUCTION OF WASTE MANAGEMENT CENTRE TH. MADIFUSHI	AFRAZ	
	TITLE LEACHATE WELL [PLAN, SECTION, ELEVATION], GROUND WATER WELL SECTION SORTING PLATFORM [PLAN, ELEVATION]	STRUCTURE BY AFRAZ	
	CLIENT DEPARTMENT WMPC DEPARTMENT	DRAWN BY AFRAZ	
	PAPER SIZE A3	SCALE 1:50	
	PAGE NO. 11	DWG NO. MADI-R3 A1-11	
		DATE 18.04.2018	

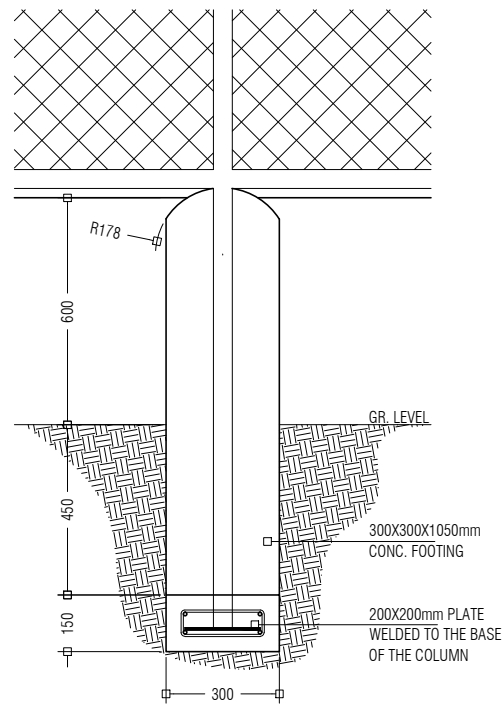




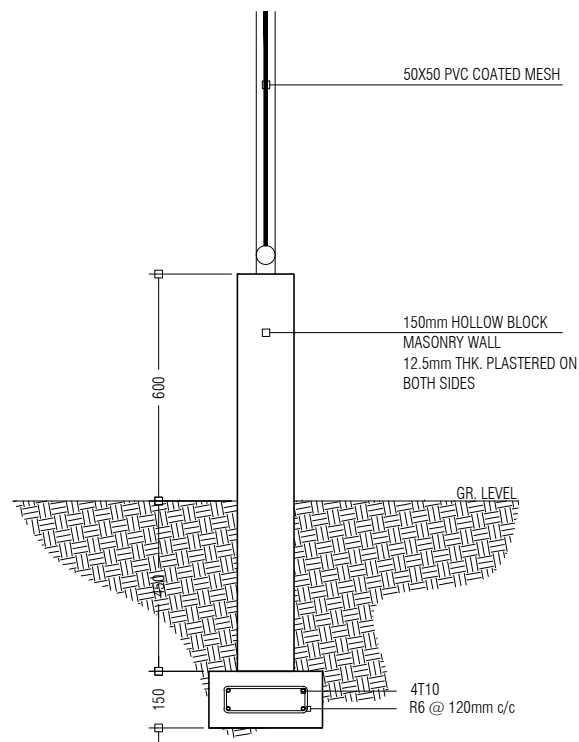
**LIGHT POST FOUNDATION FOOTING DETAIL 1:10**

**Note:**  
\* Concrete cover: 50mm  
\* GI pipe to be painted with 1 coat of sealer & 2 coats of finishing paint. (Sigma, maroon colour)

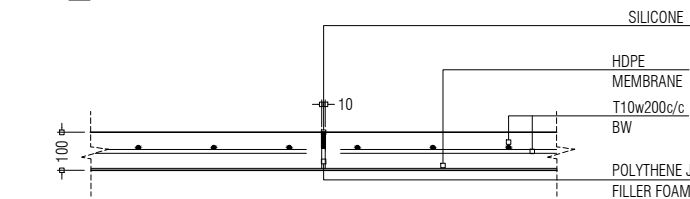
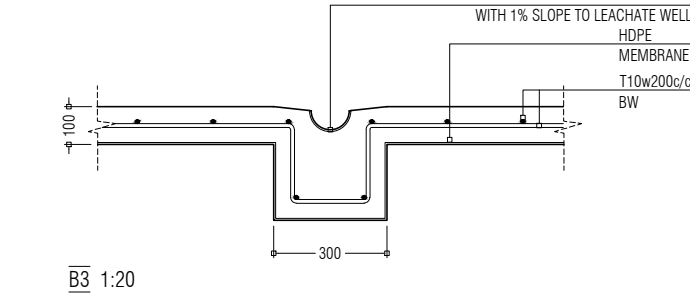
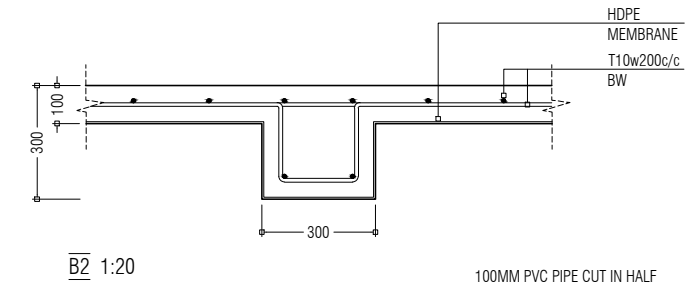
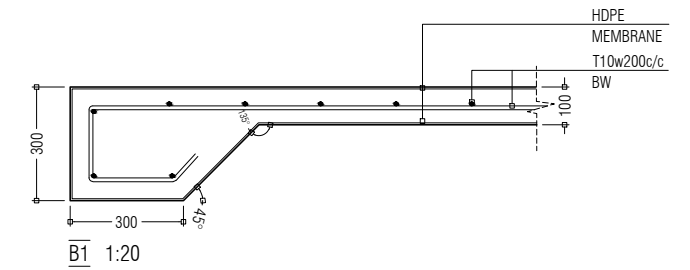
**LIGHT POST DETAIL**  
Scale 1:50



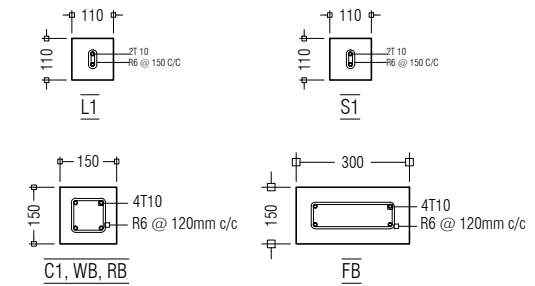
**PERIMETER FENCE FOUNDATION DETAIL**



**PERIMETER FENCE WALL FOUNDATION DETAIL**

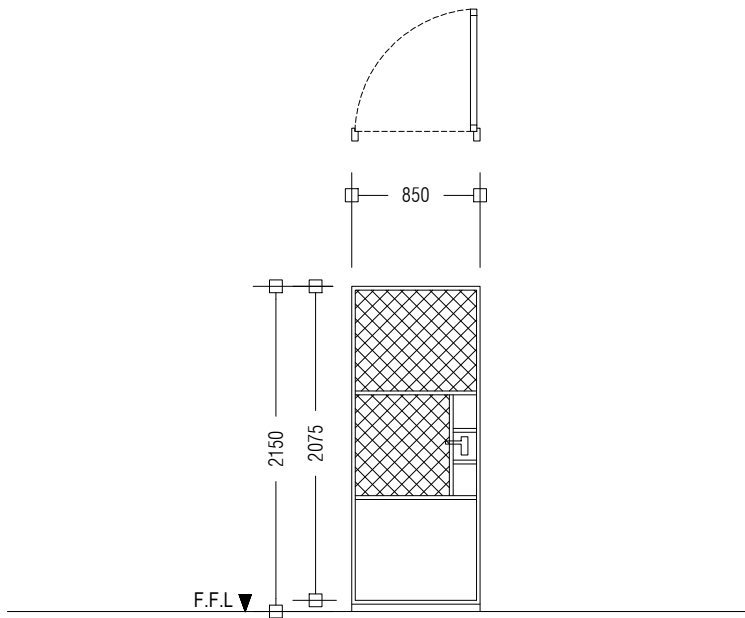
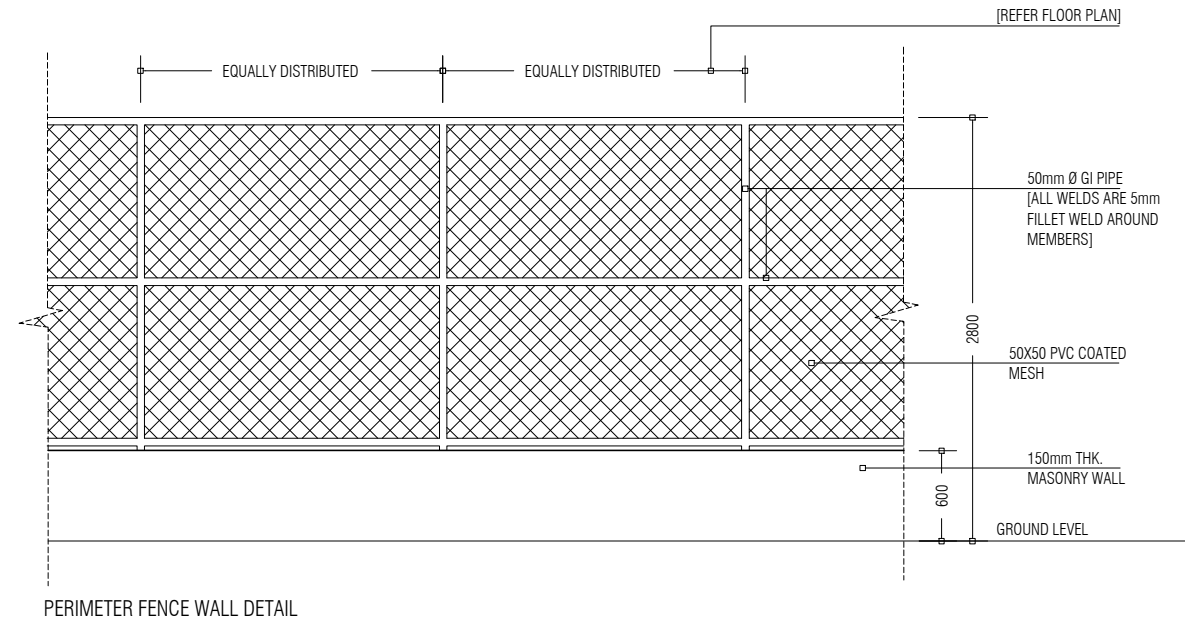
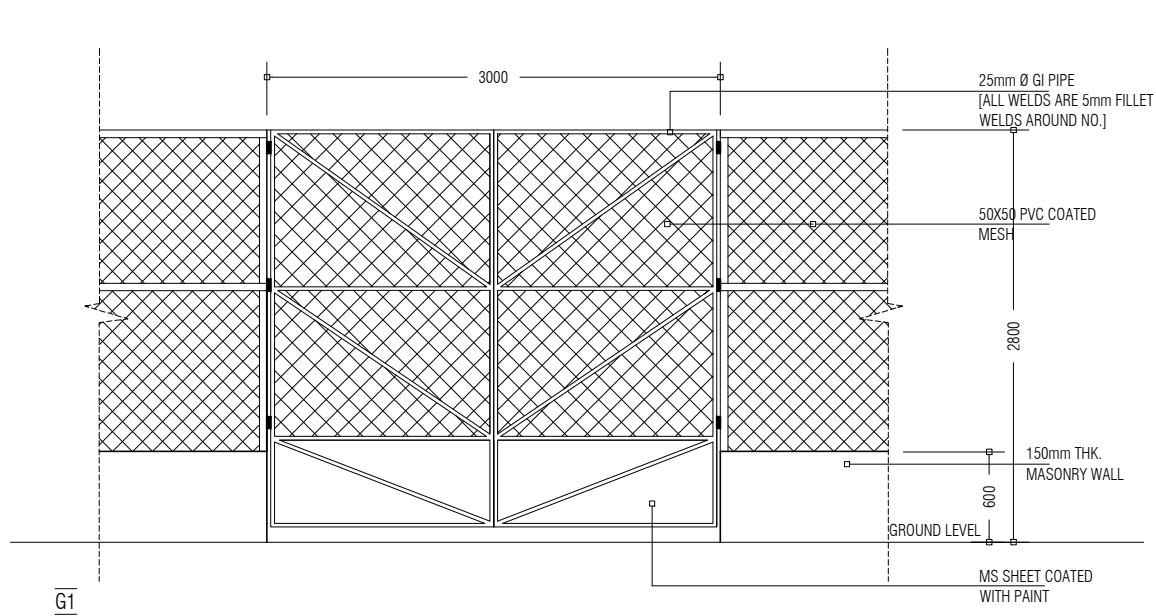


**COMPOST BED SLAB DETAIL 1:20**



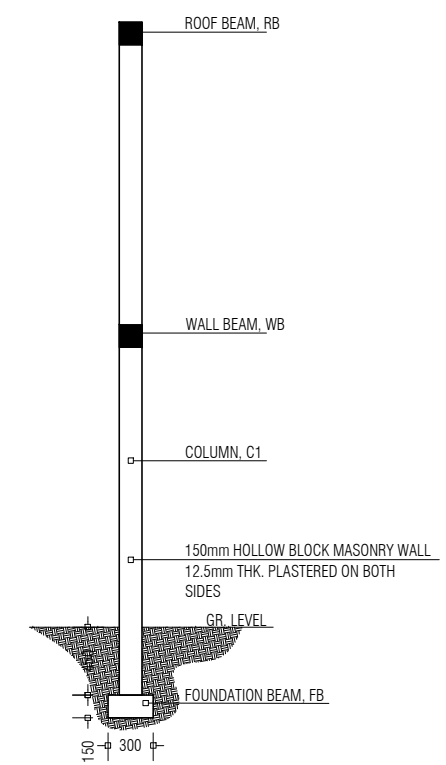
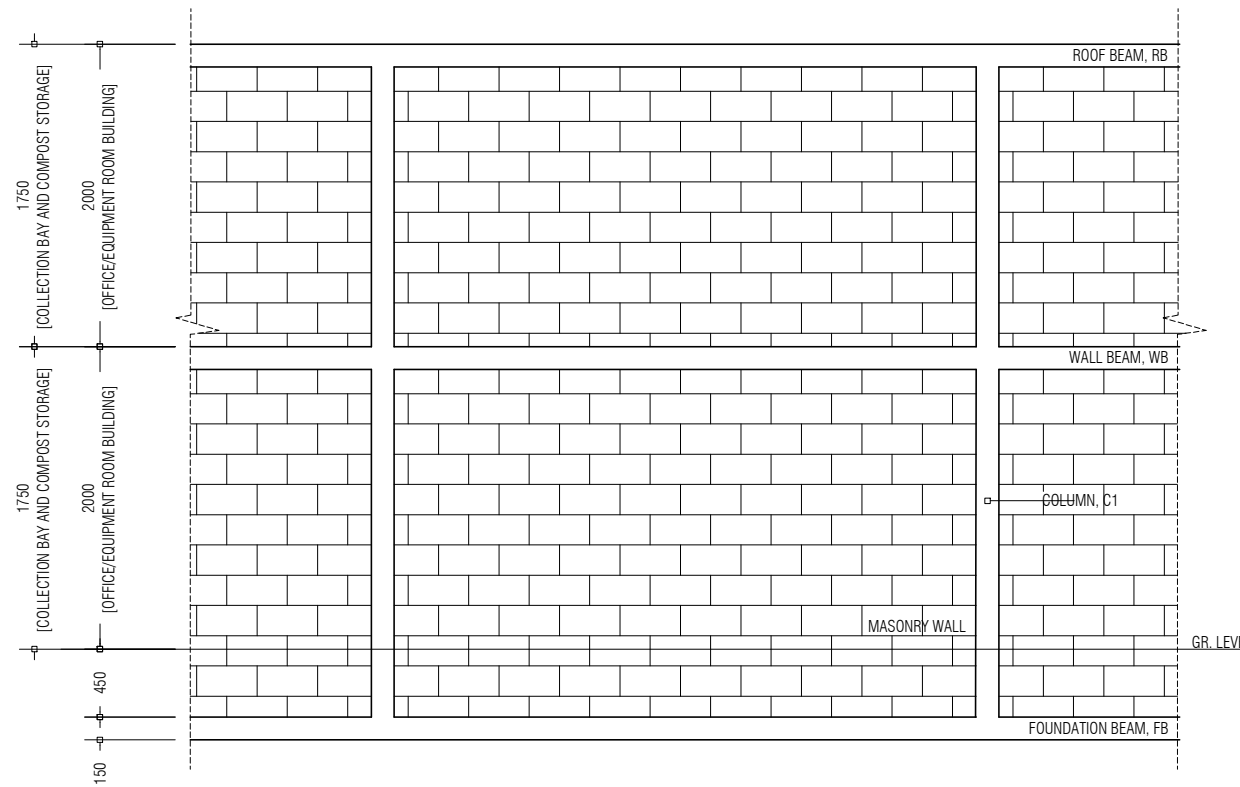
**COLUMN AND BEAM DETAILS**

APPROVED BY	PROJECT	DESIGN BY	AMENDMENTS
	CONSTRUCTION OF WASTE MANAGEMENT CENTRE TH. MADIFUSHI	AFRAZ	
	TITLE	STRUCTURE BY	
	DETAILS	AFRAZ	
	CLIENT DEPARTMENT	DRAWN BY	
	WMPC DEPARTMENT	AFRAZ	
PAPER SIZE A3		SCALE	1:50, 1:20, 1:10
PAGE NO. 12		DWG NO.	MADI-R3 A1-12
		DATE	18.04.2018



D1	SWING TYPE GATE
REMARKS	GI PIPE (50MM) FRAMED GATE WITH PVC COATED WIRE MESH AND MS SHEET COATED WITH PAINT, GI PIPE TWO COAT PAINTED 01 DOOR KNOB WITH LOCK SET 04 HINGES
LOCATION	GROUND FLOOR
QUANTITY	NO.S 01
OPEN AREA	1.83 m <sup>2</sup>

NOTE:  
ALL WELDS FOR THE  
GI MEMBERS ARE  
5mm FILLET WELDS

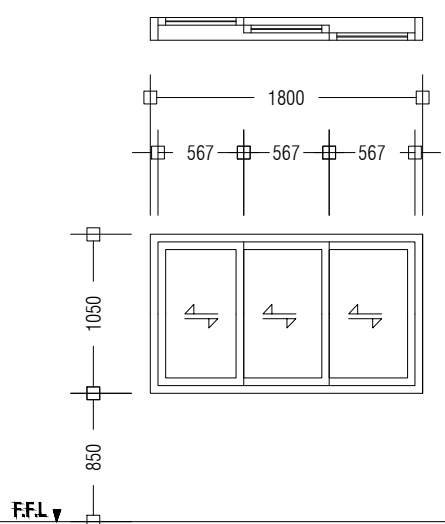
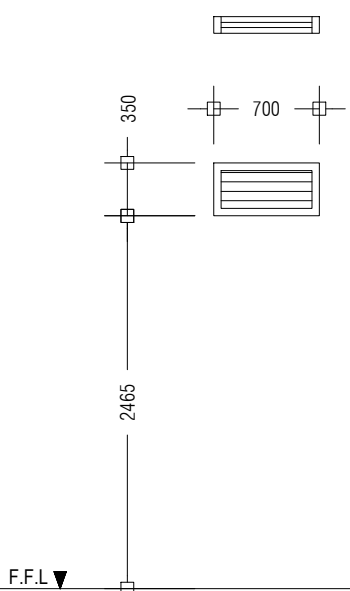
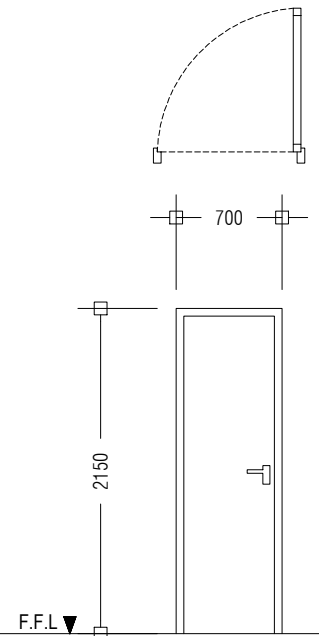
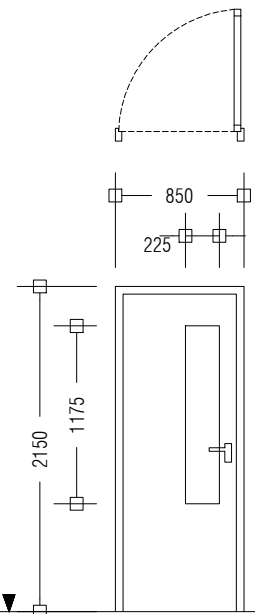


BUILDINGS WALL ELEVATION

BUILDINGS WALL DETAIL

APPROVED BY	PROJECT	DESIGN BY	AMENDMENTS
	CONSTRUCTION OF WASTE MANAGEMENT CENTRE TH. MADIFUSHI	AFRAZ	
	TITLE	STRUCTURE BY	
	GATE SCHEDULE, FENCING DETAIL, WALL DETAIL	AFRAZ	
	CLIENT DEPARTMENT	DRAWN BY	
	WMPC DEPARTMENT	AFRAZ	
PAPER SIZE	A3	SCALE	1:50
PAGE NO.	13	DWG NO.	MADI-R3 A1-13
		DATE	18.04.2018



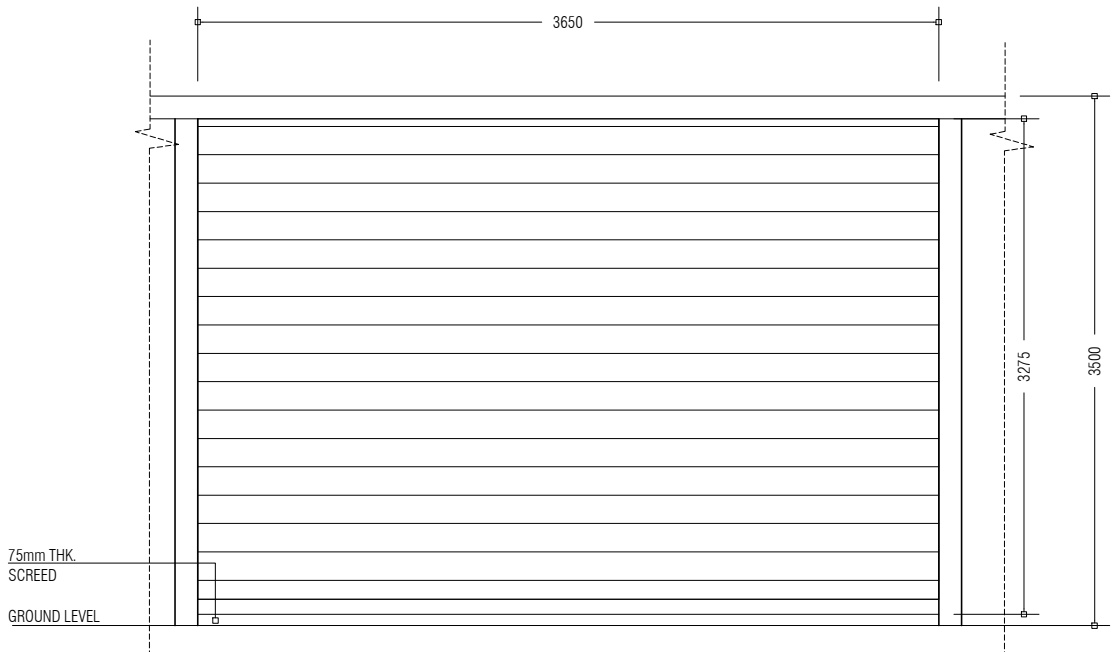


<b>D2</b>	<b>SWING TYPE DOOR</b>
REMARKS	ALUMINUM DOOR WITH CLEAR GLASS PANEL 01 DOOR KNOB WITH LOCK SET 04 HINGES DOOR STOPPER, FINISHED WITH WHITE COATED PAINT
LOCATION	GROUND FLOOR
QUANTITY	NO.S 01
OPEN AREA	1.83 m <sup>2</sup>

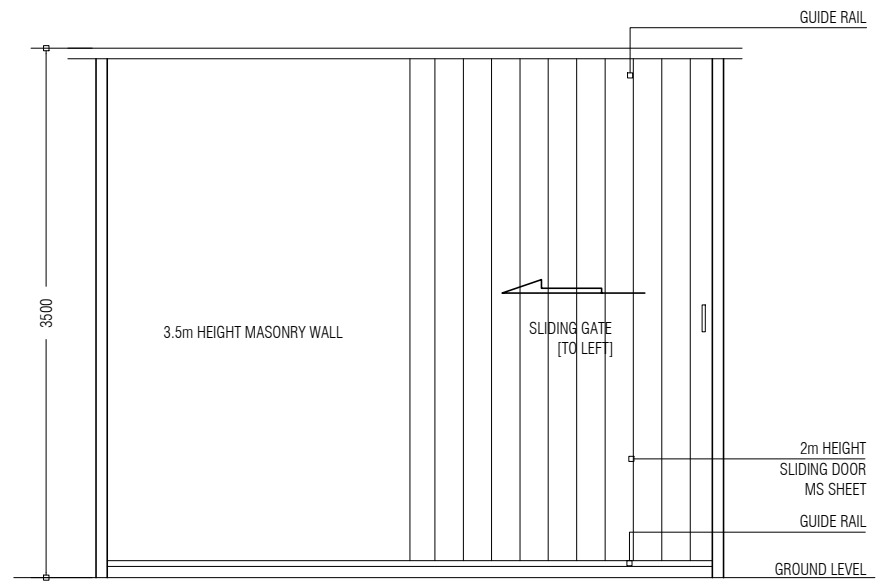
<b>D3</b>	<b>SWING TYPE DOOR</b>
REMARKS	ALUMINIUM DOOR WITH DOOR KNOB AND 1 LOCK SET
LOCATION	GROUND FLOOR
QUANTITY	NO.S 07
OPEN AREA	1.51m <sup>2</sup>

<b>W1</b>	<b>ALUMINIUM LOUVER WINDOW</b>
REMARKS	ALUMINUM FRAMED, ALUMINIUM LOUVERED, FINISHED WITH WHITE COATED PAINT
LOCATION	GROUND FLOOR
QUANTITY	NO.S 1
OPEN AREA	0.15 m <sup>2</sup>

<b>W2</b>	<b>ALUMINIUM SLIDING WINDOW</b>
REMARKS	ALUMINUM FRAMED, TINTED BLACK GLASS, FINISHED WITH TIMBER POWDER COATED PAINT
LOCATION	GROUND FLOOR
QUANTITY	NO.S 02
OPEN AREA	1.89 m <sup>2</sup>



EQUIPMENT ROOM RSD



HAZADIOUS WASTE SD1

APPROVED BY	PROJECT	DESIGN BY	AMENDMENTS
	CONSTRUCTION OF WASTE MANAGEMENT CENTRE TH. MADIFUSHI	AFRAZ	
	TITLE	STRUCTURE BY	
	DOOR AND WINDOW SCHEDULE	AFRAZ	
	CLIENT DEPARTMENT	DRAWN BY	
	WMPC DEPARTMENT	AFRAZ	
	PAPER SIZE A3	SCALE 1:50	
	PAGE NO. 14	DWG NO. MADI-R3 A1-14	
		DATE 18.04.2018	

