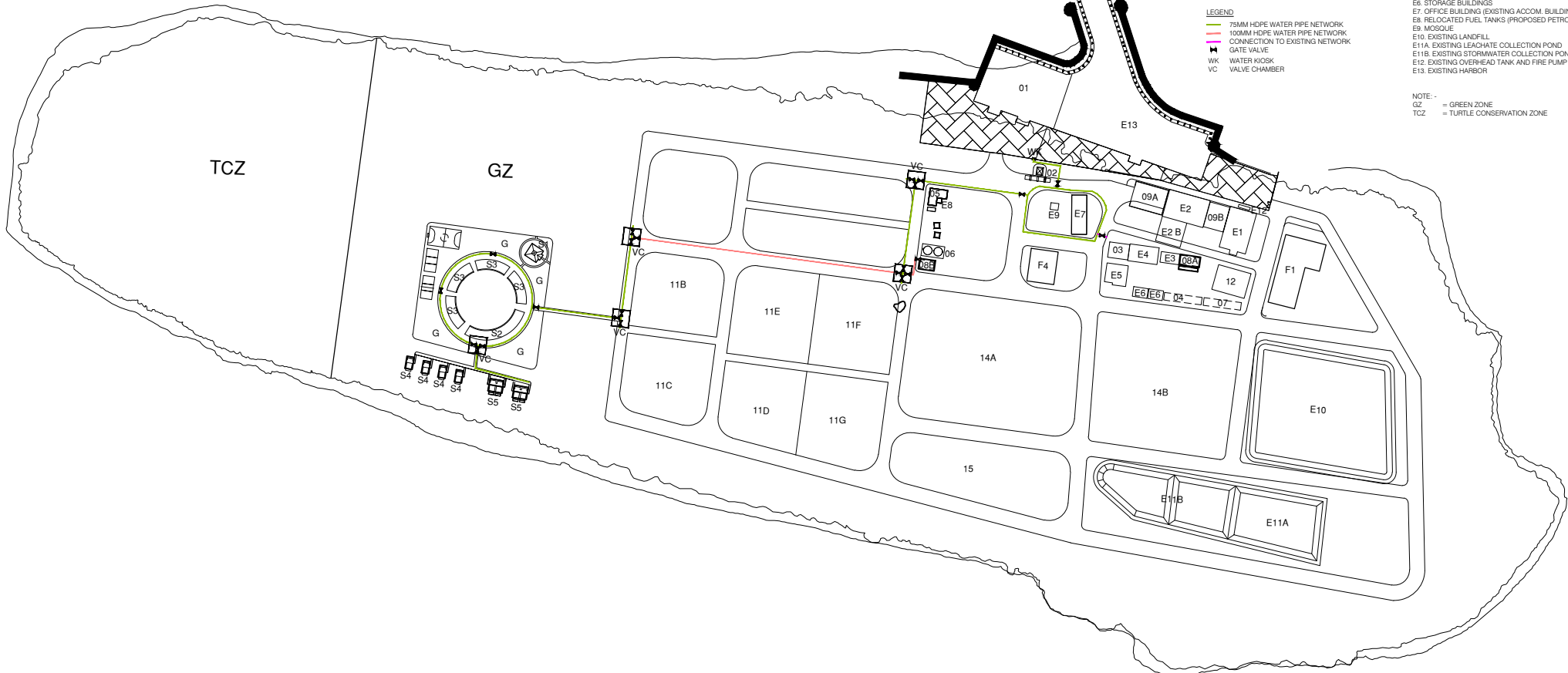


WATER STORAGE TANKS AND DISTRIBUTION NETWORK  
R. VANDHOO



PREPARED BY:  
MALDIVES CLEAN ENVIRONMENT PROJECT  
MINISTRY OF ENVIRONMENT

SEPTEMBER 2020



**WASTE MANAGEMENT FACILITIES**

- 01. HARBOUR EXTENSION
- 02. GUARD HOUSE AND WEIGH BRIDGE
- 03. VEHICLE SHED EXTENSION BUILDING
- 04. STORAGE EXTENSION BUILDING
- 05. FUEL FARM
- 06. WATER STORAGE TANKS
- 07. MECHANICAL STORAGE
- 08A. POWER HOUSE
- 08B. DESALINATION BUILDING
- 09A/09B. WASTE SORTING SHED EXTENSION
- 10. RECEIVING BUNKERS
- 11. WASTE MANAGEMENT FACILITIES
  - 11A - RESERVED FOR FUTURE USE
  - 11B - RECYCLABLES
  - 11C - RECYCLING (WITH COMPACTION AND BALING PLANT)
  - 11D - E-WASTE
  - 11E - BULK WASTE
  - 11F - COMPOST PACKAGING AND STORAGE
  - 11G - HAZARDOUS WASTE
- 12. UNPROCESSED WASTE BUNKER
- 13. PUMP HOUSE
- 14. PROPOSED LANDFILL
  - 14A - C&D WASTE
  - 14B - GENERAL WASTE
- 15. PROPOSED LEACHATE COLLECTION

**LEGEND**

- 75MM HDPE WATER PIPE NETWORK
- 100MM HDPE WATER PIPE NETWORK
- CONNECTION TO EXISTING NETWORK
- GATE VALVE
- WK WATER KIOSK
- VC VALVE CHAMBER

**FUTURE DEVELOPMENT**

- F1. FUTURE INCINERATOR LOCATION
- F2. FUTURE WASTE MANAGEMENT FACILITIES
- F3. FUTURE FOOTBALL FIELD
- F4. TRAINING FACILITY & HR BUILDING

**STAFF VILLAGE**


- S1. MOSQUE
- S2. STAFF FACILITIES BUILDING
  - STAFF KITCHEN
  - CAFETERIA
  - LAUNDRY
  - RECREATION
  - GYM
- S3. STAFF ACCOMMODATION X4
- S4. GUEST ACCOMMODATION X4
- S5. CONSULTANTS ACCOMMODATION X2

**G. GREEN AREAS**

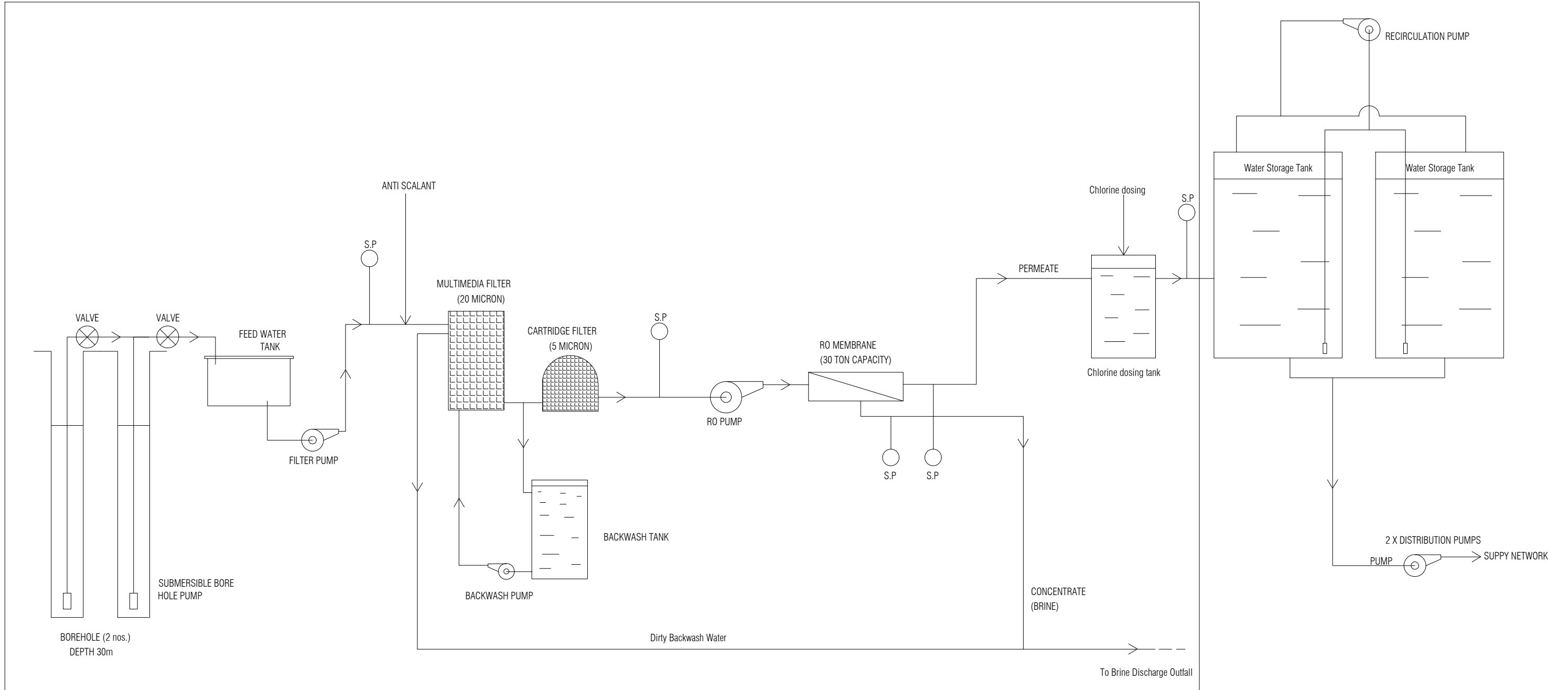
**EXISTING BUILDINGS**

- E1. INCINERATOR
- E2. WASTE SORTING SHED
- E2B. WASTE SORTING SHED ANNEX (TO BE RELOCATED)
- E3. UTILITY BUILDING
- E4. VEHICLE SHED
- E5. LOCKER ROOM FACILITY (EXISTING STAFF ACCOM.)
- E6. STORAGE BUILDINGS
- E7. OFFICE BUILDING (EXISTING ACCOM. BUILDING)
- E8. RELOCATED FUEL TANKS (PROPOSED PETROL TANK)
- E9. MOSQUE
- E10. EXISTING LANDFILL
- E11A. EXISTING LEACHATE COLLECTION POND
- E11B. EXISTING STORMWATER COLLECTION POND
- E12. EXISTING OVER-HEAD TANK AND FIRE PUMP
- E13. EXISTING HARBOR


- NOTE -
- GZ = GREEN ZONE
  - TCZ = TURTLE CONSERVATION ZONE

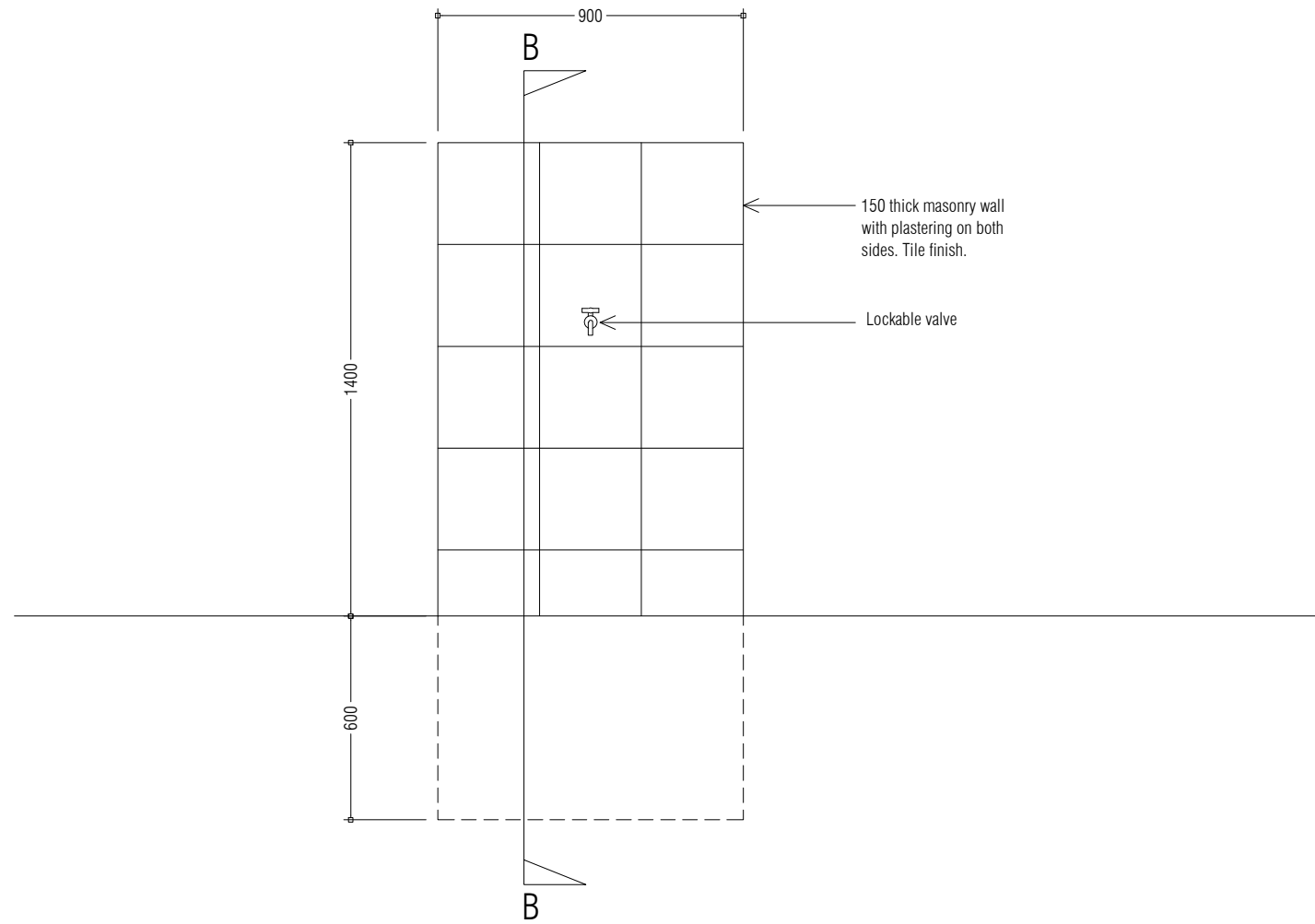
PREPARED BY	PROJECT	DESIGN BY	AMENDMENTS	
 <p>MCEP MINISTRY OF ENVIROMENT GREEN BUILDING, HANDHUVAREE HIGUN, MAAFANNU, MALE (20392), REPUBLIC OF MALDIVES, TEL: +960-3018431, +960-3018300, FAX: +960-328301</p>	SUPPLY AND INSTALLATION OF RTP WATER STORAGE TANKS, AND LAYING OF WATER DISTRIBUTION NETWORK - R.VANDHOO	AFRAZ		
	TITLE	STRUCTURE BY		
	CLIENT DEPARTMENT	DRAWN BY		
	WMPC DEPARTMENT	AFRAZ		
	PAPER SIZE	A4	SCALE	
	PAGE NO.	01	DWG NO.	WSVND-A1-01
		DATE	20.09.2020	

TO BE DONE UNDER RO PLANT SUPPLY CONTRACT

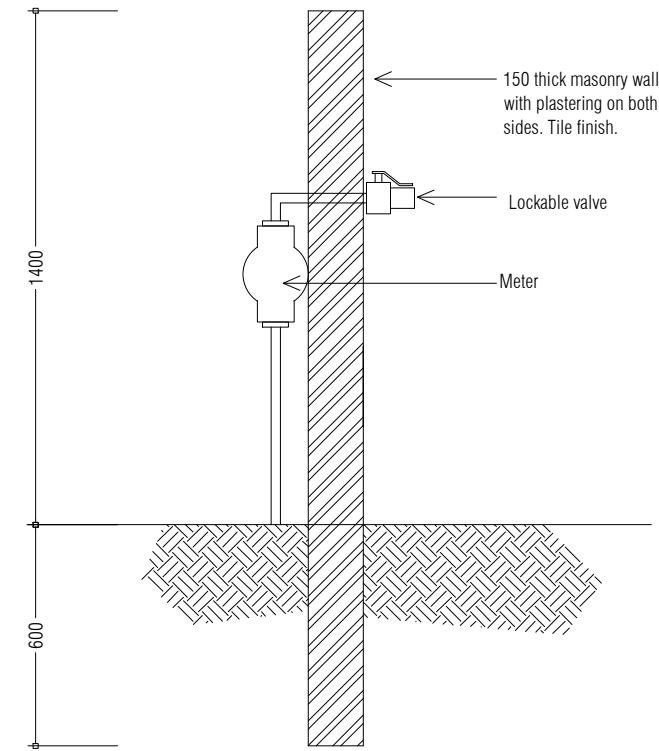


NOTE:  
S.P = Sampling Point  
RO membrane shall have  
provision for future  
expansion of capacity


PREPARED BY	PROJECT	DESIGN BY	AMENDMENTS
 <p>MCEP MINISTRY OF ENVIROMENT GREEN BUILDING, HANDHUVAREE HIGUN, MAAFANNU, MALE' (20392), REPUBLIC OF MALDIVES, TEL: +960-3018431, +960-3018300, FAX: +960-328301</p>	SUPPLY AND INSTALLATION OF RTP WATER STORAGE TANKS AND LAYING OF WATER DISTRIBUTION NETWORK - R.VANDHOO		
	TITLE	STRUCTURE BY	
	SCHEMATIC DIAGRAM		
	CLIENT DEPARTMENT	DRAWN BY	
	WMPC DEPARTMENT	AFRAZ	
	PAPER SIZE A3	SCALE	-
	PAGE NO. 02	DWG NO.	WSVND-A1-02
		DATE	20.09.2020

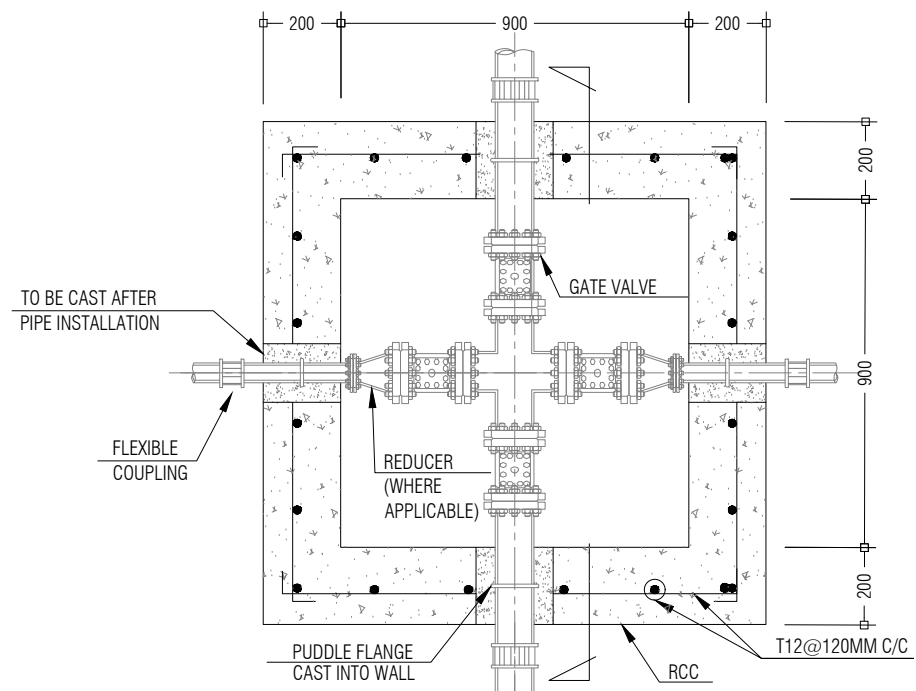
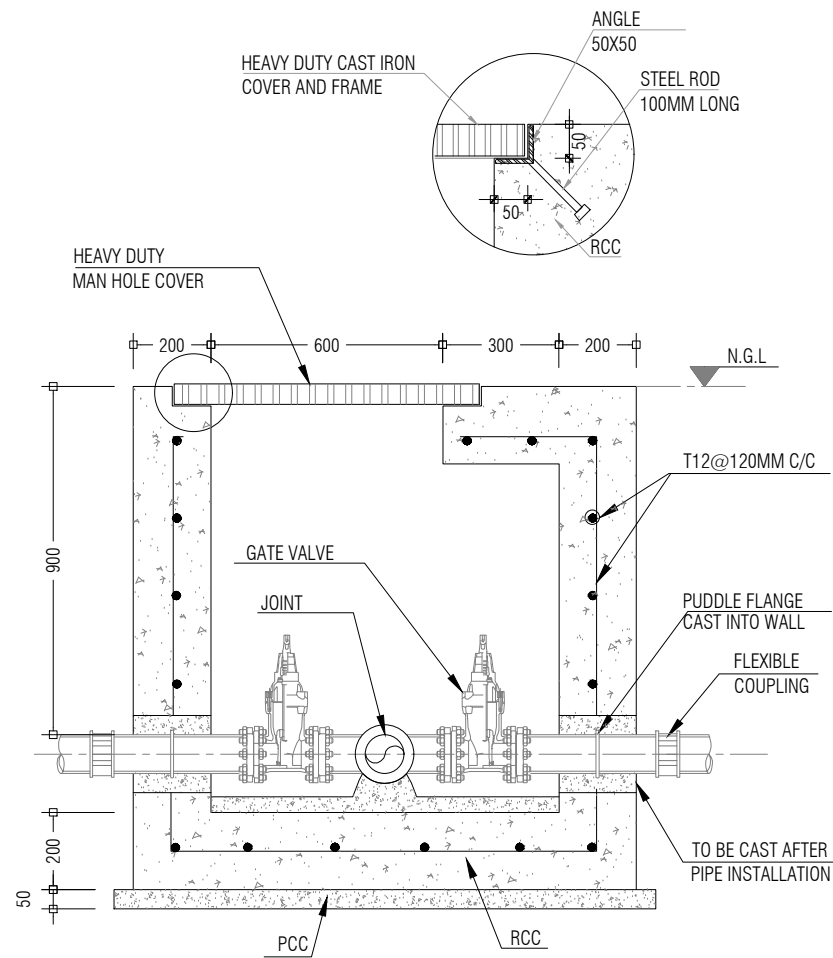


HARBOUR KIOSK  
ELEVATION

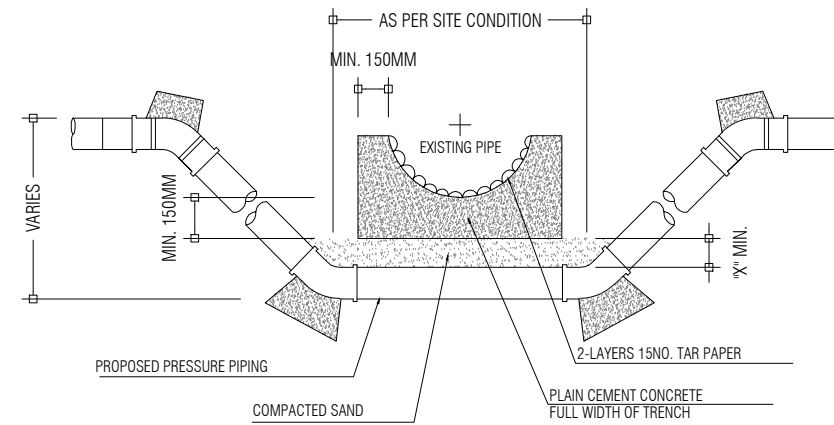


HARBOUR KIOSK  
SECTION B - B

PREPARED BY	PROJECT	DESIGN BY	AMENDMENTS
 <p>MCEP MINISTRY OF ENVIROMENT GREEN BUILDING, HANDHUVAREE HIGUN, MAAFANNU, MALÉ (20392), REPUBLIC OF MALDIVES, TEL: +960-3018431, +960-3018300, FAX: +960-328301</p>	SUPPLY AND INSTALLATION OF RTP WATER STORAGE TANKS AND LAYING OF WATER DISTRIBUTION NETWORK - R.VANDHOO		
	TITLE	STRUCTURE BY	
	WATER KIOSK DETAILS		
	CLIENT DEPARTMENT	DRAWN BY	
	WMPC DEPARTMENT	AFRAZ	
	PAPER SIZE A3	SCALE	-
	PAGE NO. 03	DWG NO.	WSVND-D1-03
	DATE	20.09.2020	



VALVE CHAMBER



PIPE CROSSING DETAIL

N.T.S

"X" DIMENSION REQUIREMENTS

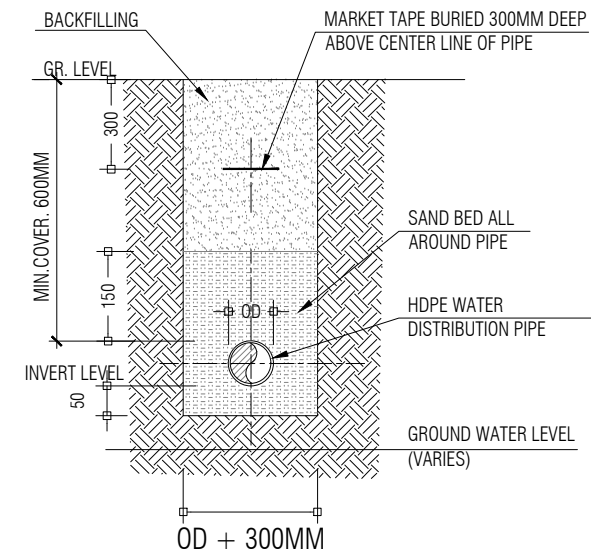
- A - 150MM FOR GAS & OBT LINE CROSSING W/NO CRADLE NEEDED
- B - 450MM FOR STORM WATER / SEWER PIPE
- C - IF CROSSING SPACE IS MORE THAN MIN SPACE OF CRADLE BELOW PIPE BOTTOM PLUS AFOREMENTIONED "X" DIMENSION THEN EXTEND "X" DIMENSION TO MAKE UP DIFFERENCE.

CONCRETE CRADLE CONDITIONS

- A - IF SANITARY OR SEWER PIPE JOINT IS WITHIN PROPOSED IMPROVEMENT TRENCH LIMIT
- B - IF CROSSING SPACE IS LESS THAN MIN SPACE OF CRADLE BELOW PIPE BOTTOM PLUS "X" DIMENSION THEN OMIT SAND FILL AND USE CONCRETE


NOTE:-

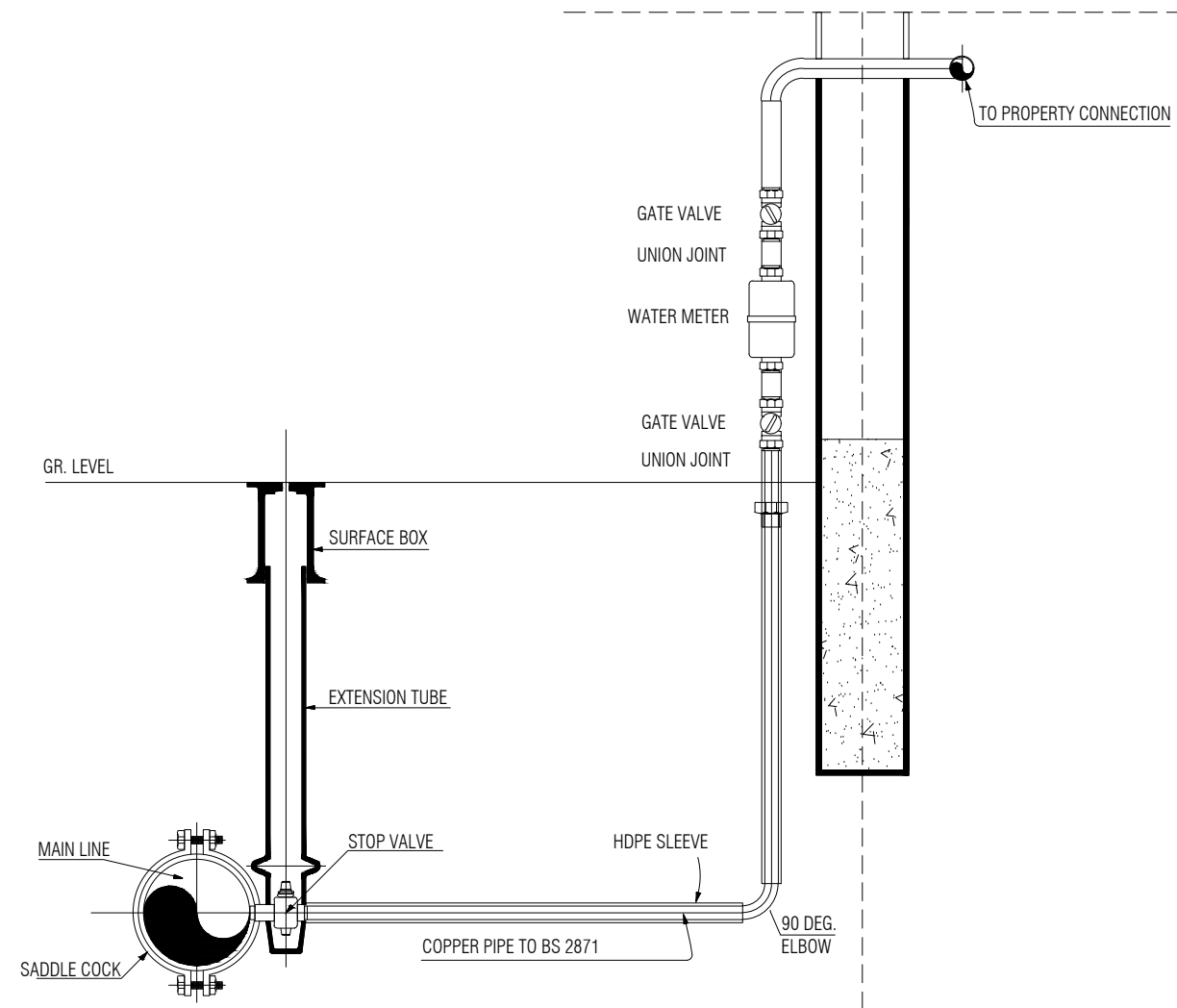
USE OF BENDS & THRUST BLOCKS OR JOINT DEFLECTION TO BE DETERMINED IN FIELD FOR EACH CROSSING




TYPICAL PIPE TRENCH DETAIL

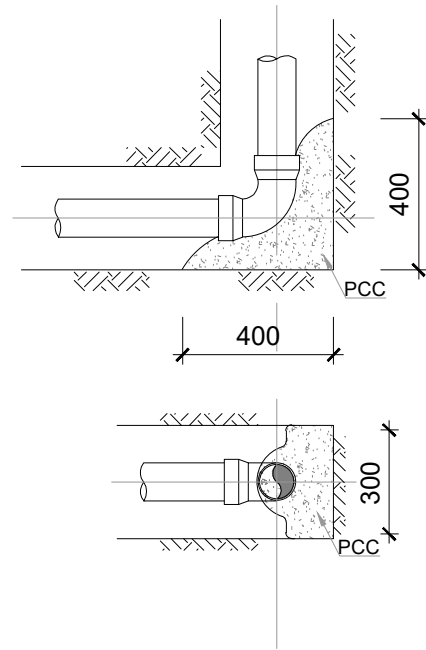
N.T.S

PREPARED BY	PROJECT	DESIGN BY	AMENDMENTS	
 <p>MCEP MINISTRY OF ENVIROMENT GREEN BUILDING, HANDHUVAREE HIGUN, MAAFANNU, MALÉ (20392), REPUBLIC OF MALDIVES, TEL: +960-3018431, +960-3018300, FAX: +960-328301</p>	SUPPLY AND INSTALLATION OF RTP WATER STORAGE TANKS AND LAYING OF WATER DISTRIBUTION NETWORK - R.VANDHOO			
	TITLE	STRUCTURE BY		
	CLIENT DEPARTMENT	DRAWN BY		
	WMPC DEPARTMENT	AFRAZ		
	PAPER SIZE A3	SCALE	-	
	PAGE NO. 04	DWG NO.	WSVND-D1-04	
		DATE	20.09.2020	

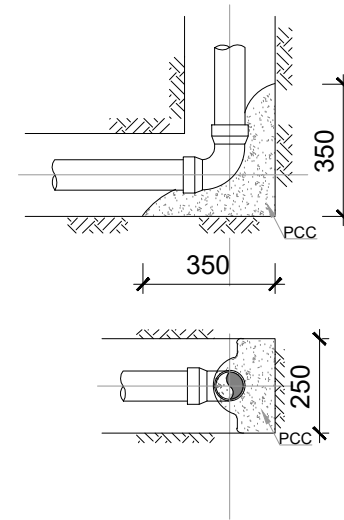


**WATER METER DETAIL**

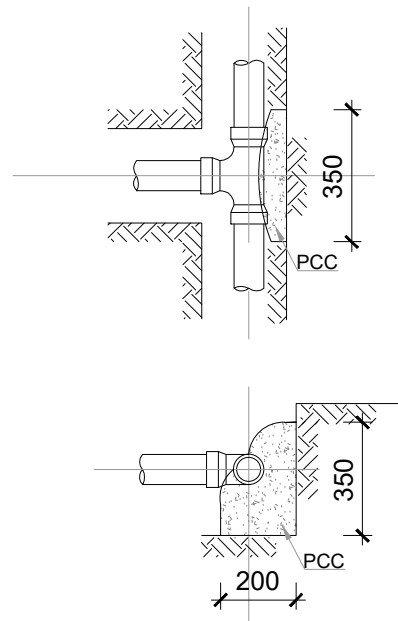
PREPARED BY	PROJECT	DESIGN BY	AMENDMENTS
 <p>MCEP MINISTRY OF ENVIROMENT GREEN BUILDING, HANDHUVAREE HIGUN, MAAFANNU, MALÉ (20392), REPUBLIC OF MALDIVES, TEL: +960-3018431, +960-3018300, FAX: +960-328301</p>	SUPPLY AND INSTALLATION OF RTP WATER STORAGE TANKS AND LAYING OF WATER DISTRIBUTION NETWORK - R.VANDHOO		
	TITLE	STRUCTURE BY	
	PROPERTY CONNECTION DETAILS		
	CLIENT DEPARTMENT	DRAWN BY	
	WMPC DEPARTMENT	AFRAZ	
	PAPER SIZE A3	SCALE	-
	PAGE NO. 05	DWG NO.	WSVND-D1-05
	DATE	20.09.2020	



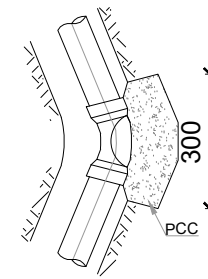
**90 DEG. HORIZONTAL BEND  
110MM DIA PIPE**




**90 DEG. HORIZONTAL BEND  
75MM DIA PIPE**



**ANGLE BRANCH AND TEE  
75MM DIA PIPE**



**HORIZONTAL BEND  
75MM DIA PIPE**

PREPARED BY	PROJECT	DESIGN BY	AMENDMENTS	
 <b>MCEP</b> MINISTRY OF ENVIROMENT GREEN BUILDING, HANDHUVAREE HIGUN, MAAFANNU, MALÉ (20392), REPUBLIC OF MALDIVES, TEL: +960-3018431, +960-3018300, FAX: +960-328301	SUPPLY AND INSTALLATION OF RTP WATER STORAGE TANKS AND LAYING OF WATER DISTRIBUTION NETWORK - R.VANDHOO			
	TITLE PIPE BEND DETAILS	STRUCTURE BY		
	CLIENT DEPARTMENT WMPC DEPARTMENT	DRAWN BY AFRAZ		
	PAPER SIZE A3	SCALE -		
	PAGE NO. 06	DWG NO. WSVND-D1-06		
		DATE 20.09.2020		